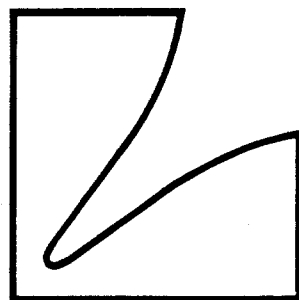
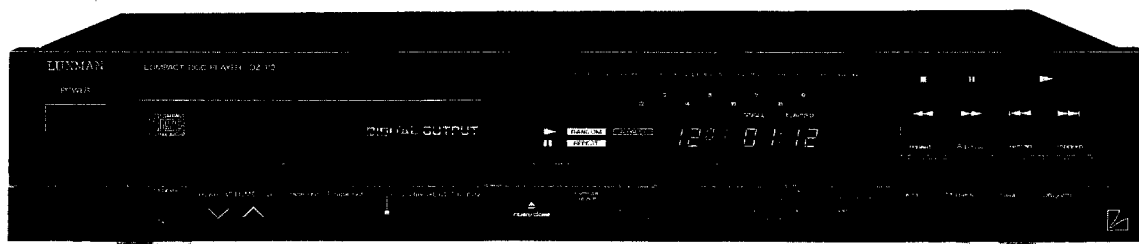


SERVICE MANUAL



Compact Disc Player

DZ-112



Contents

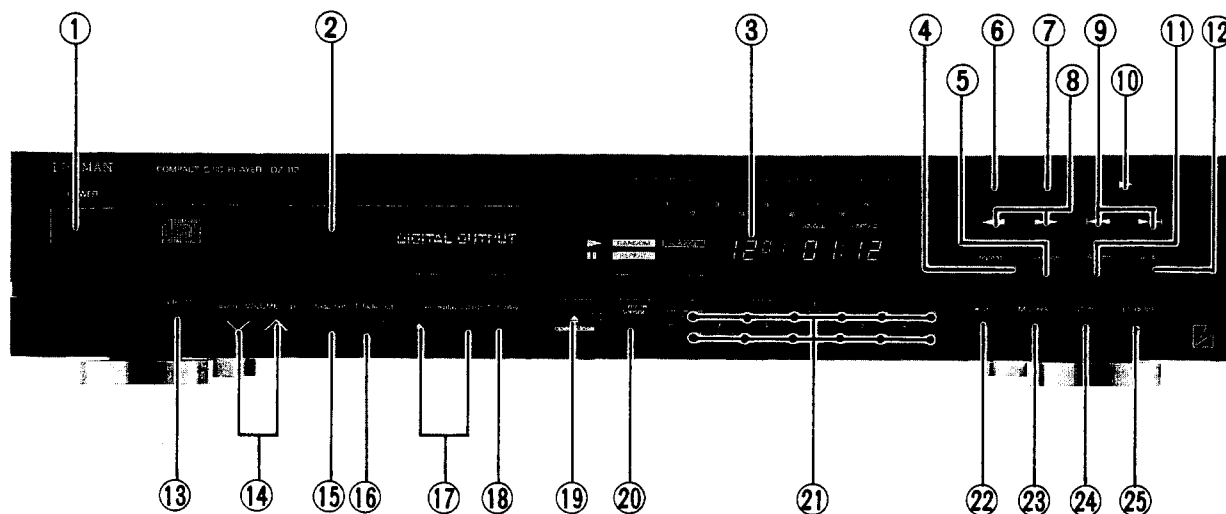
Specifications	2
Controls & Switches-Front Panel	3 to 5
Jacks & Terminals-Rear Panel	6
Controls & Switches-Remote Controller	7
Disassembly Instructions	8
Adjustment Procedures	9 to 10
Adjustment Locations	11
Block Diagram	12
Parts Layout on P. C. Boards and Wiring Diagram	13 to 16
Schematic Diagram (1/2)	17 to 19
Schematic Diagram (2/2)	20 to 22
Electrical Parts List	23 to 27
Cabinet Assembly Parts List	28
Exploded View (Cabinet)	29 to 30
Exploded View (CD Mechanism)	31 to 32
CD Mechanism Assembly Parts List	33
Packing Assembly Parts List	34
Packing Method View	34
Semi-conductor Lead Identifications	35 to 40

Specifications

Systems	Optical (Compact Disc System)
Quantizing Bit Number	16 Bit Linear System
Channels	2 Channels, Stereo
Pick-up	Semi-conductor Laser Pick-up
Output Voltage	$2V \pm 1dB$
Frequency Response	$5 \sim 20kHz \pm 1dB$
T.H.D.(1kHz)	0.008%
S/N Ratio	99dB
Dynamic Range	91dB
Channel Separation (1kHz)	90dB
Headphone Output Voltage (1kHz, $-10dB/8 \text{ ohm}$)	$150mV \pm 1dB$
Power Supply	AC120/220/240V, 50Hz (General European and West German Models Only) AC120V, 60Hz (North American and Canadian Models Only) AC240V, 50Hz (England Model Only)
Power Consumption	15W
Semi-conductors	21 IC's, 24 Transistors, 2 FETs, 19 Diodes, 3 Zener Diodes
Dimension (W × H × D)	438 × 85 × 311 (mm)
Weight	4.5kg

NOTE: Due to continuing product improvement, specifications and designs are subject to change without notice.

CONTROLS & SWITCHES — FRONT PANEL



1. POWER BUTTON

Press this button to turn power on and off to the unit. The contents of the programmed play, random play and edit play are kept in memory even if the power is turned off. When one of the programmed play, random play and edit play functions has been set, the programmed operation will start when the power is turned on. When no programmed operation has been set, normal playback will start from the first track on the disc.

2. DISC TRAY

Place a disc on this tray, label side up. A light touch on the tray, when open, will cause it to retrack back into the unit ready for play. Pressing PLAY, STOP, PAUSE, A-SCAN or any of the DIRECT ACCESS buttons will also close the tray and cause the unit to go into immediate play operation.

NOTE: To use 8 cm (3 inch) single CD's, place them on the inner circular grooved area marked "8 cm disc" on the tray.

3. VACUUM FLUORESCENT DISPLAY

Track, index, time and programming functions are all simultaneously shown in this display. Refer to "operation guidelines" for details.

4. REPEAT Button

In normal play or random play mode, press this button to repeat all tracks on a disc.

In programmed play or edited play mode, pressing this button will repeat only those programmed or edited.

Pressing the "repeat" button a second time, will cancel the repeat function.

5. A-PAUSE (AUTO PAUSE) Button

Pressing this button will cause the machine to activate PAUSE automatically at the end of any currently playing track. To resume play, press the PLAY button. While the auto pause function is activated, A-PAUSE will show in the display.

6. STOP (reset) Button (■)

One press of this button will stop playback and return the pick-up to the beginning of the disc. A second push will clear (reset) all memory contents.

NOTE: The total number of tracks and the total playing time on the disc will always show on the display in the STOP mode.

CONTROLS & SWITCHES — FRONT PANEL

7. PAUSE Button (||)

Press this button to temporarily cease playback or to cue up a track or segment for recording, etc. To resume playback, press the "pause" button again or press the play button.

NOTE: Fast Forward/Backward scan and skip operations (items #9 and 8) are still operable in the "pause" mode.

8. FAST FORWARD/BACKWARD SCAN Buttons (<< , >>)

When pressed, these buttons provide fast forward or backward scan within a track (music) selection. To more than double these scan speeds, press the "pause" button (item #7) first.

9. FORWARD/BACKWARD SKIP Buttons (<<< , >>>)

These buttons allow one to "skip" forward or backward over any track in one track increments.

Pressing backward (<<<) once will cause return to the beginning of the current track; a second immediate push will cause a skip back to the preceding track.

When the pick-up comes to the first selection, the next push will cause it to go to the beginning of the last selection on the disc.

Pressing forward (>>>) will cause the player to skip forward, one track at a time for each successive push. When the last selection is reached, the next push will return the pick-up to the first track.

10. PLAY Button (▶)

Press PLAY button when loading a disc for immediate playback beginning at track 1 and for starting a programmed sequence.

11. A-SCAN (AUTO SCAN) Button

Press this button to successively play a beginning of each track for ten seconds. During the auto scanning mode, the A-SCAN indicator will appear on the display.

12. RANDOM Button

Press this button to automatically play tracks at random. During the random play, the RANDOM indicator will appear on the display.

13. PHONES Jack

Use the "phones" jack to connect stereo headphones for private listening.

14. VOLUME UP/DOWN Buttons

Controls volume level of connected stereo headphones and the VARIABLE ANALOG OUTPUT jacks on the rear panel. When activated, the output level, as measured in db below maximum output, is shown in the display.

15. FADE-OUT Button

Use this button to gradually decrease the output level of the VARIABLE ANALOG OUTPUT jacks on the rear panel and the **phones** jack. When the fade-out completes, the unit enters the pause mode and the output level automatically returns to the original level.

16. T-FADE OUT (Time Fade Out) Button

Use this button to gradually decrease the output level of the VARIABLE ANALOG OUTPUT jacks on the rear panel and the **phones** jack after a length of play time as specified by the Direct Access select buttons. When the fade-out completes, the unit will enter the pause mode and the output level automatically returns to the original level.

17. DISPLAY ADJUST Button/Indicator

This button adjusts brightness of the display in four steps and also turns the display off. The red indicator lights up and stays lit in the 3 dimmed positions and in the display "off" position.

18. T-DISPLAY Button

Each push of this button selects one of 4 disc timing displays as follows:

"Single Elapsed" — Time elapsed since beginning of current track.

"Single Remain" — Play time remaining on current track.

"Total Elapsed" — Time elapsed since beginning of total disc.

"Total Remain" — Play time remaining on entire disc.

CONTROLS & SWITCHES — FRONT PANEL

NOTE: When in program play mode, the remaining times displayed will be that of the selections programmed, not the entire disc.

In the RANDOM play mode, the display will not show Total Elapsed or Total Remain times. (This is not a malfunction.)

19. OPEN/CLOSE Button

Press to open or close the disc tray (See also item #2).

20. REMOTE SENSOR

When using the hand held remote control, it must be pointed toward this sensor to activate operational functions.

21. DIRECT ACCESS SELECT Buttons

Use for immediate play of any track from 1 to 99 or, in conjunction with the "program" button, select up to 32 tracks in any order for programmed operation.

Also, use these buttons for the edit play and time setting for the Time Fade Out function.

22. EDIT Button

For convenience in tape recording, this button will cause automatic grouping of tracks that can be recorded within the time specified for any given tape type used (C-60, C-90, etc.). That is, when recording time for one side of the tape is set with the Direct Access Select buttons while the EDIT is blinking on the display after the Edit button is pressed, the tracks that can be recorded for both sides of the tape within the specified time are programmed automatically.

23. M-CHECK Button

Use this button to check the order of the selections that have been programmed. With each successive push of this button, the track numbers that have been programmed will be shown to the left and the programmed order to the right, in the track display area (the time portion of the display will turn off).

NOTE: M-Check operates only in the "Stop" mode.

24. CLEAR Button

This function allows track by track clearing, in sequence, of any programmed track, beginning with the last track programmed. With each push of this button, the next track to be cleared will appear in the Track No. Display and the red frame around the last programmed track No. will disappear.

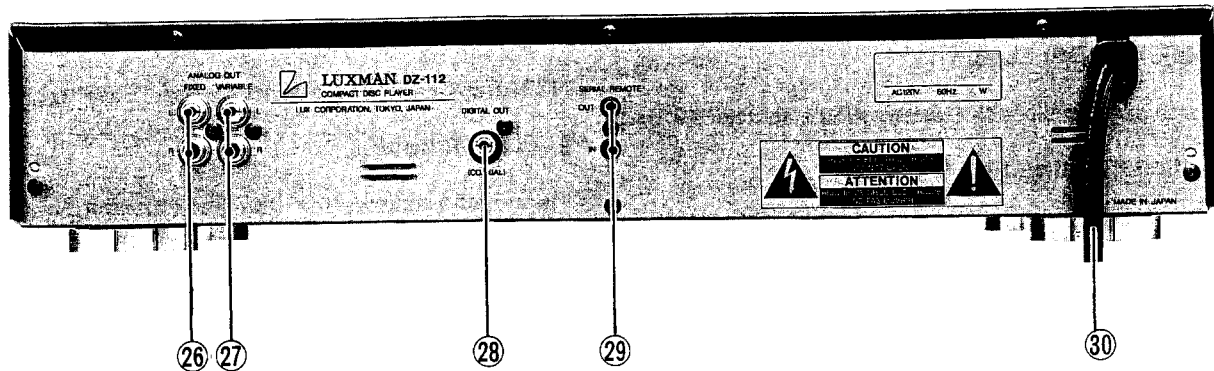
NOTE: "Clear" operates only in the "Stop" mode.

25. PROGRAM Button

Use this button in conjunction with the "Direct Access Select" buttons (item #21) to program up to 32 track selections in any random order. To clear program contents, press the STOP button twice.

NOTE: Pressing the **program** button will toggle between the selections programmed into memory and normal play operation. This allows one to temporarily go to normal play operation, if desired, without losing the stored program. To recover the program, simply press **program** again!

JACKS & TERMINALS — REAR PANEL



26. ANALOG OUTPUT Jacks (Fixed)

For connection to the CD inputs of any amplifier or receiver. The output level is 2 volts fixed, referenced to 0 dB recording level.

27. ANALOG OUTPUT Jacks (Variable)

For connection to the CD inputs of any amplifier or receiver. The output level can be adjusted using the VOLUME UP/DOWN buttons.

28. DIGITAL OUTPUT Jack — Coaxial

Use this output for connection to a matching amplifier having a patch cord (coaxial) phono jack type digital input (such as the Luxman LV-113 or LV-117).

29. SERIAL REMOTE IN/OUT Jacks

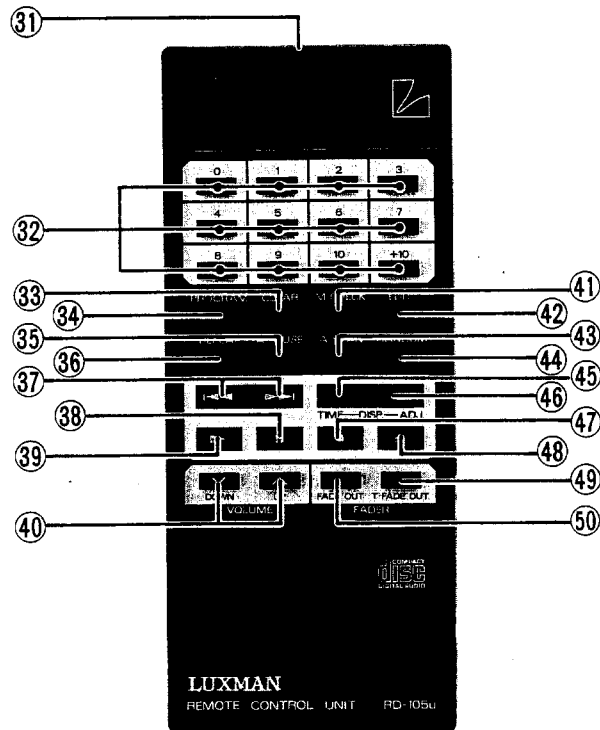
Use these jacks for simple and convenient connection to other Luxman components for System Remote Control operation. Connect these Serial Remote In and Out jacks to the Serial Remote Out and In jacks, respectively, on other Luxman components (in daisy chain fashion), for a unified remote control system.

NOTE: Turn the power off before connecting these jacks.

30. AC POWER CORD

Insert the polarized AC plug of the DZ-112 into any 120 volt AC/60 Hz wall outlet, or, preferably, into the unswitched outlet of the amplifier or receiver used with it.

CONTROLS & SWITCHES — REMOTE CONTROLLER



REMOTE CONTROLLER RD-105u

NOTE: Operation is the same as for the buttons on the front panel of the DZ-112.

- | | |
|-----------------------------------|------------------------------|
| 31. TRANSMISSION WINDOW | 41. M-CHECK Button |
| 32. DIRECT ACCESS (TRACK) Buttons | 42. EDIT Button |
| 33. CLEAR Button | 43. A-SCAN Button |
| 34. PROGRAM Button | 44. RANDOM Button |
| 35. A-PAUSE Button | 45. TIME DISPLAY Button |
| 36. REPEAT Button | 46. DISPLAY ADJUST Button |
| 37. FORWARD/BACKWARD SKIP Buttons | 47. STOP Button |
| 38. PAUSE Button | 48. OPEN/CLOSE (TRAY) Button |
| 39. PLAY Button | 49. T-FADE OUT Button |
| 40. VOLUME UP/DOWN Buttons | 50. FADE OUT Button |

Disassembly Instructions

1. Removal of CD Mechanism

- (1) After removal of the top cover, open the disc tray.
- (2) Remove the panel tray in the arrow direction as shown in Figure 1.
- (3) Remove three screws marked "○" as shown in Figure 2.
- (4) Disconnect all wires from the CD Mechanism.

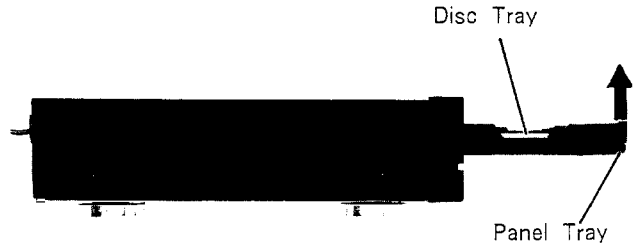


Figure 1

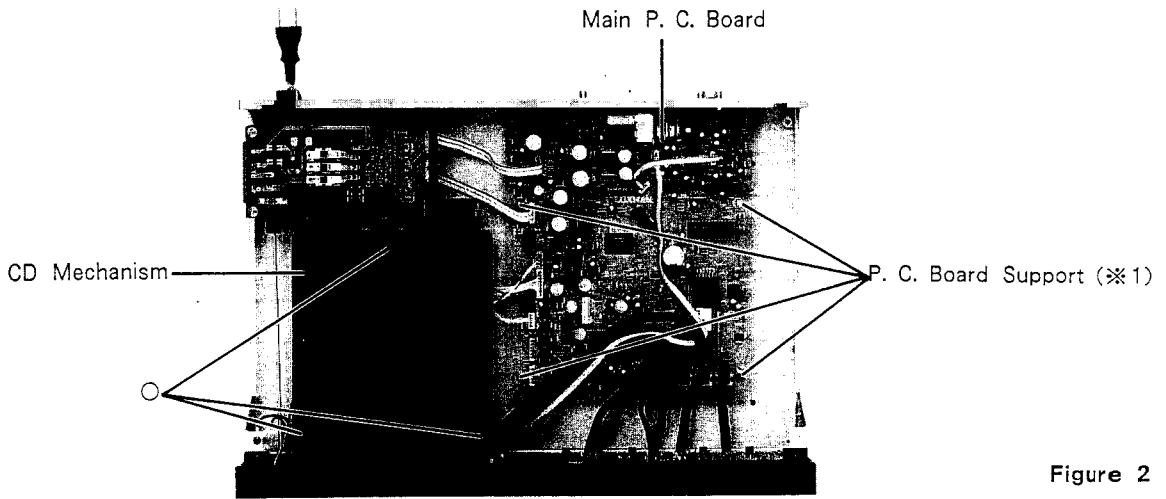


Figure 2

2. Removal of Front Panel and Logic/Fader/Phone P. C. Board

- (1) After removal of Front Panel, remove six screws marked "x" as shown in Figure 3.
- (2) Remove six hooks as shown in Figure 3.
- (3) Disconnect a connector from the Logic P. C. Board.

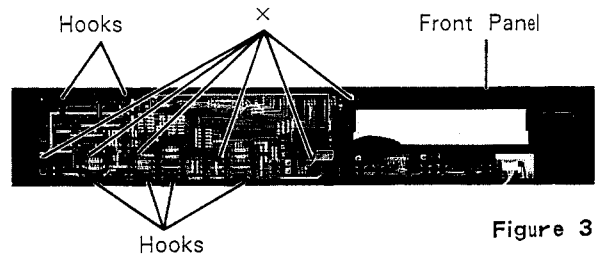


Figure 3

3. Removal of Main P. C. Board

- (1) After removal of the top cover, remove three screws marked "△" as shown in Figure 5.
- (2) Remove four P. C. Board supports (※1) from Main P. C. Board as shown in Figure 2, by pushing the point "A" as shown in Figure 4.
- (3) Disconnect all connectors from Main P. C. Board.

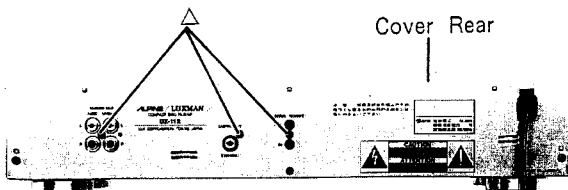


Figure 5

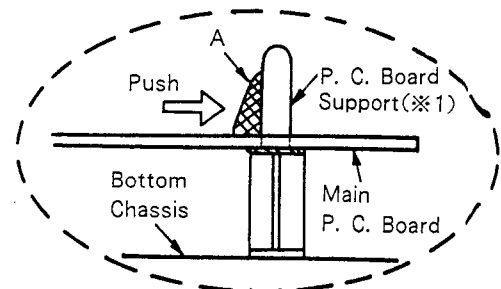


Figure 4

Adjustment Procedures

(1) Connection Diagrams

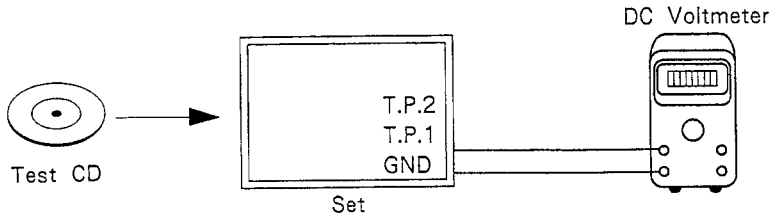


Figure 6

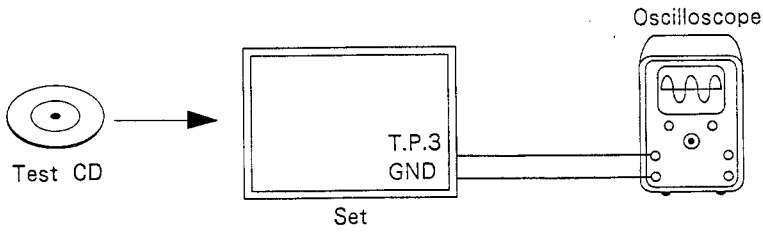


Figure 7

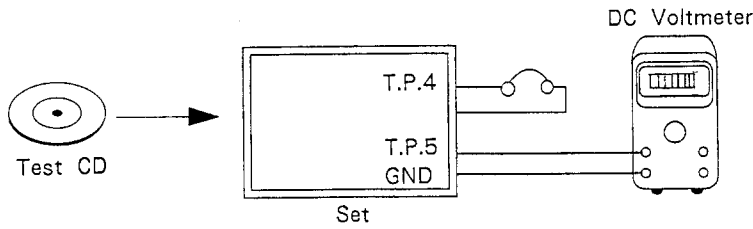


Figure 8

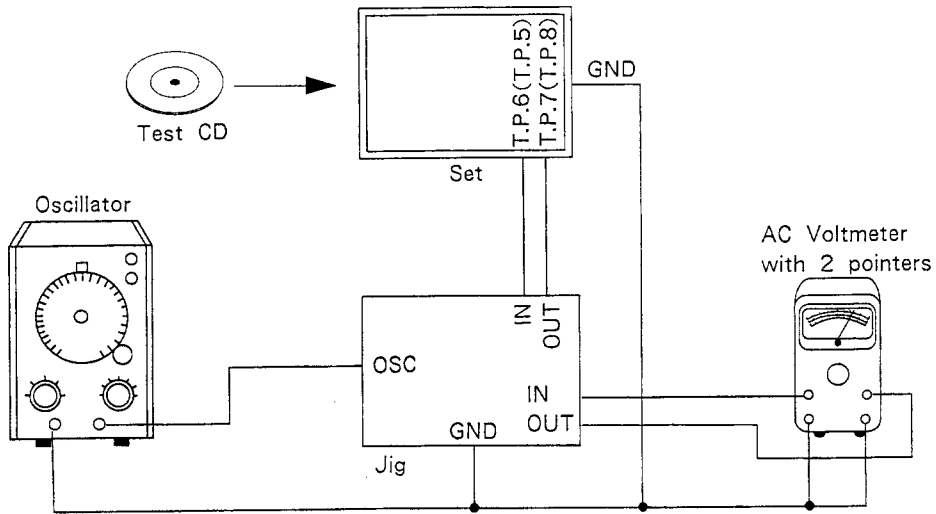


Figure 9

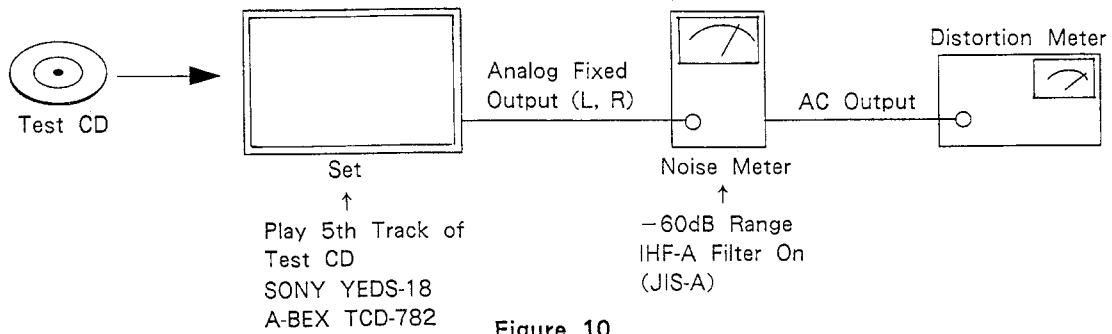


Figure 10

(2) Switch Settings

- Power Switch ON
- Play Switch ON
- Others OFF

Step	Description	Connection	Oscillator Input	Test Point	Adjustment
1	VCO Adjustment	Figure 6	-	T.P.1 T.P.2	Measure the voltage at T.P.1. Then adjust VR1303 so that the output voltage at T.P.2 becomes 1/2 of the voltage at T.P.1.
2	Focus Bias Adjustment	Figure 7	-	T.P.3	Adjust VR1202 to obtain at T.P.3 the maximum output waveform similar to that shown in Figure 11.
3	Tracking Error Balance Adjustment	Figure 8	-	T.P.4 T.P.6	Short circuit T.P.4 and fully rotate RC1301 in a counterclock direction. Then adjust VR1201 so that the output voltage at T.P.6 becomes 0 ± 10^0 mV. After completing the adjustment, rotate VR1301 back to near its center position.
4	Tracking Gain Adjustment	Figure 9	1kHz 100mV	T.P.6 T.P.7	Adjust VR1301 so that one pointer of the AC voltmeter comes above the other one.
5	Focus Gain Adjustment	Figure 9	1kHz 100mV	T.P.5 T.P.8	Adjust VR1302 so that one pointer of the AC voltmeter comes above the other one.
6	D/A Converter MSB Adjustment	Figure 10	-	Analog Fixed Output	Play back the -60dB 1kHz signal (5th track) of the test CD (SONY YEDS-18, A-BEX TCD-782) and amplify by 60dB using the noise meter encoded with the IHF-A (JIS-A) curve. Then measure the distortion rate on the AC output of the noise meter, and adjust separately VR1404 for the right channel and VR1403 for the left channel.

※Test CD

- SONY YEDS-18 (Second track) → Tracking Error Balance Adjustment
- SONY YEDS-18 (Second track) → Other Adjustments
- A-BEX TCD-782 (Second track) → Tracking Error Balance Adjustment
- A-BEX TCD-782 (Second track) → Other Adjustments

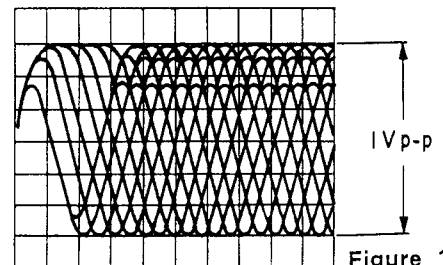
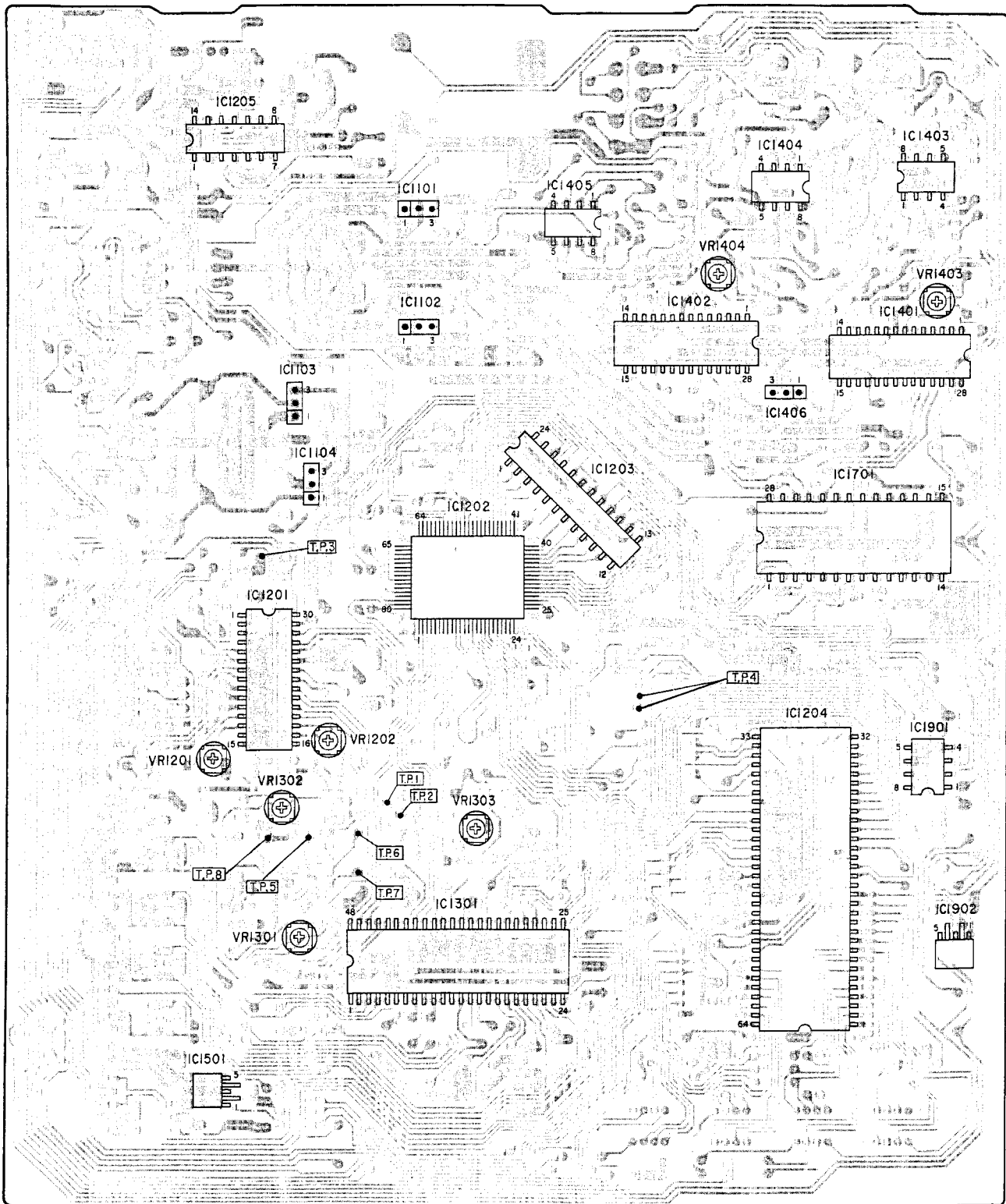


Figure 11

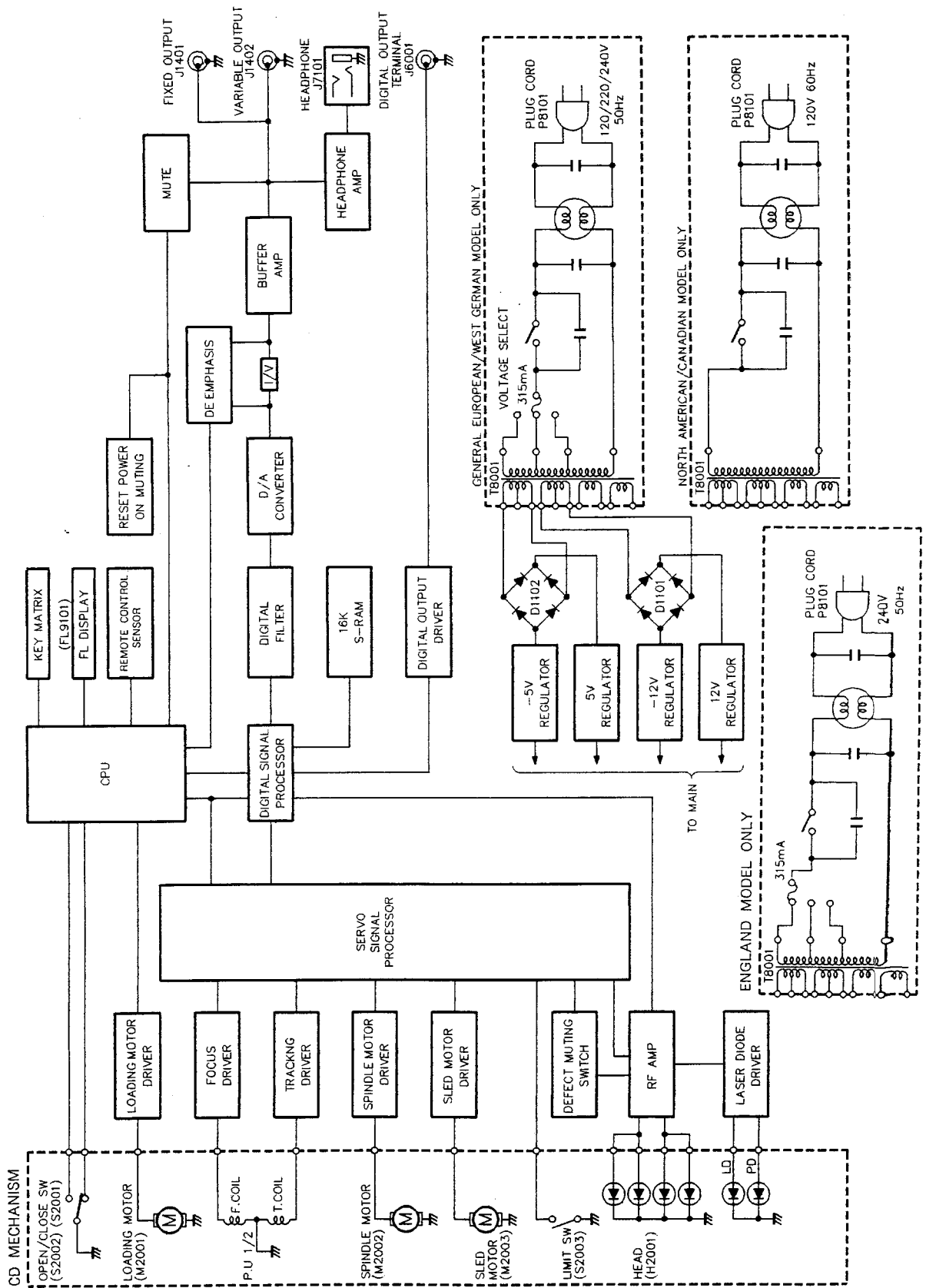
Adjustment Locations



Main P. C. Board (Component Side View)

Figure 12

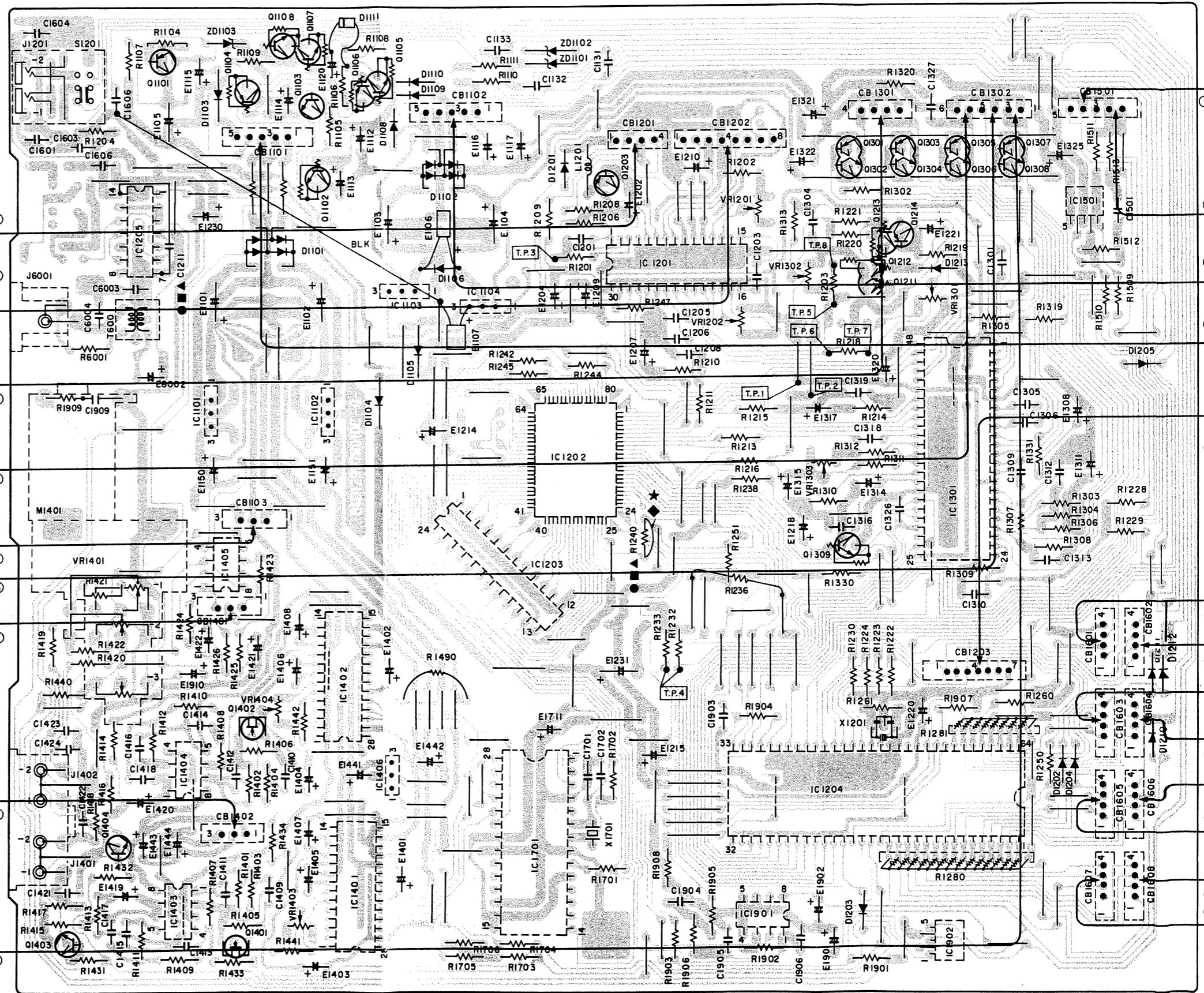
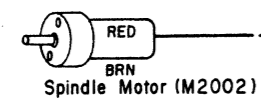
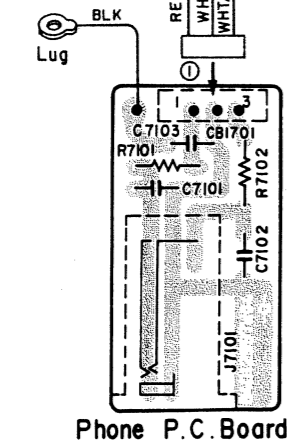
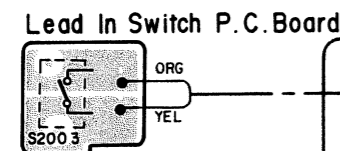
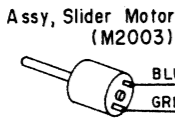
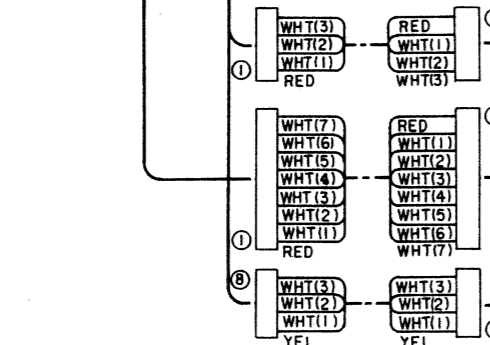
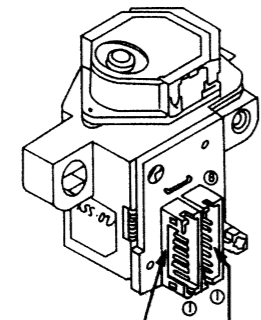
Block Diagram



Parts Layout on P.C. Boards and Wiring Diagram

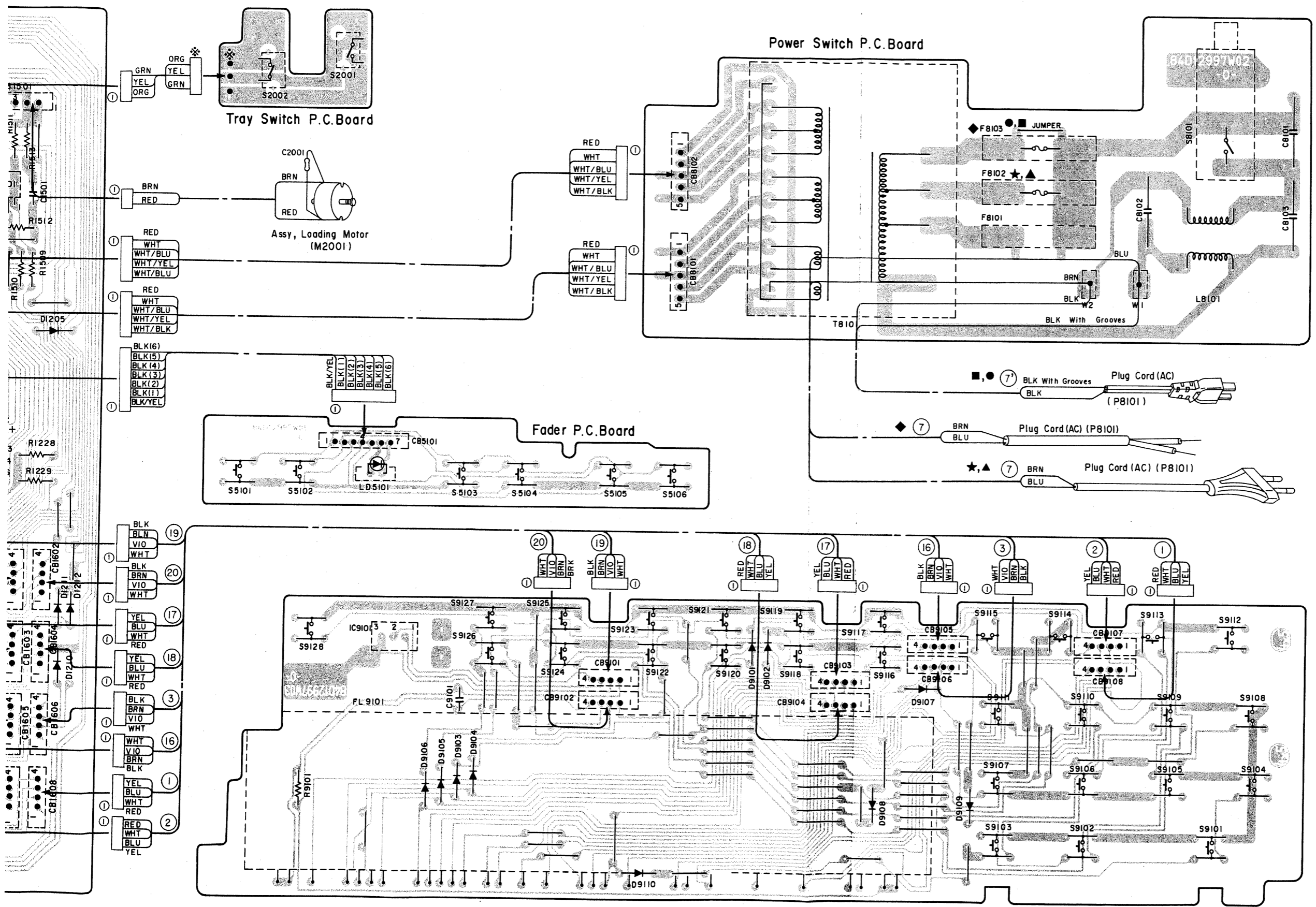
Head, Optical Picup (HD2001)

1
2
3
4
5



Main P.C. Board

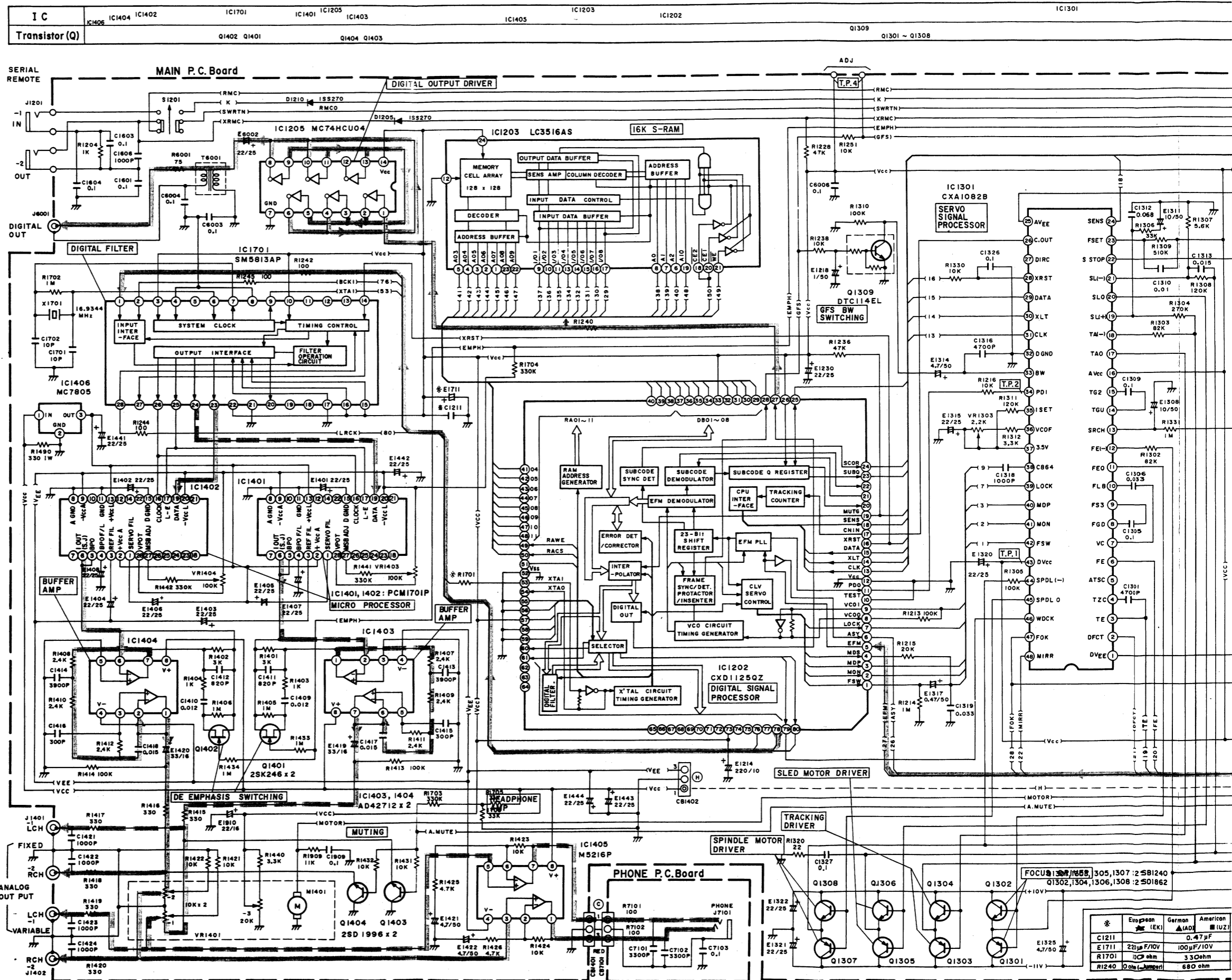
- GRN
- YEL
- ORG
- BRN
- RED
- RED
- WHT
- WHT/BL
- WHT/YE
- WHT/BL
- RED
- WHT
- WHT/BL
- WHT/YE
- WHT/BL
- BLK(16)
- BLK(15)
- BLK(4)
- BLK(3)
- BLK(2)
- BLK(1)
- BLK/YEL
- BLK
- BLN
- VIO
- WHT
- BLK
- BRN
- VIO
- WHT
- YEL
- BLU
- WHT
- RED
- YEL
- BLU
- WHT
- RED
- BLK
- BRN
- VIO
- WHT
- WHT
- VIO
- BRN
- BLK
- YEL
- BLU
- WHT
- RED
- RED
- WHT
- BLU
- YEL



- BLU Blue
- GRN Green
- BLK Black
- GRY Gray
- WHT White
- RED Red
- BRN Brown
- ORG Orange
- YEL Yellow
- PNK Pink
- VIO Violet
- GRN/WHT Green/White
- GRY/WHT Gray/White
- GRY/YEL Gray/Yellow
- GRN/YEL Green/Yellow
- SHLD Shield

Note: ★: For General European models only (EK), ▲: For West German models only (AD)
 ■: For North American models only (UK), ●: For Canadian models only (UQ)
 ◆: For England models only (AG), Others: Common.

Schematic Diagram (1/2)



1

2

3

4

5

NOTES:

- All resistance values are in ohms. K = 1,000
- All capacitance values are in microfarads. P = $\frac{1}{1,000,000}$

A

B - 17 -

C

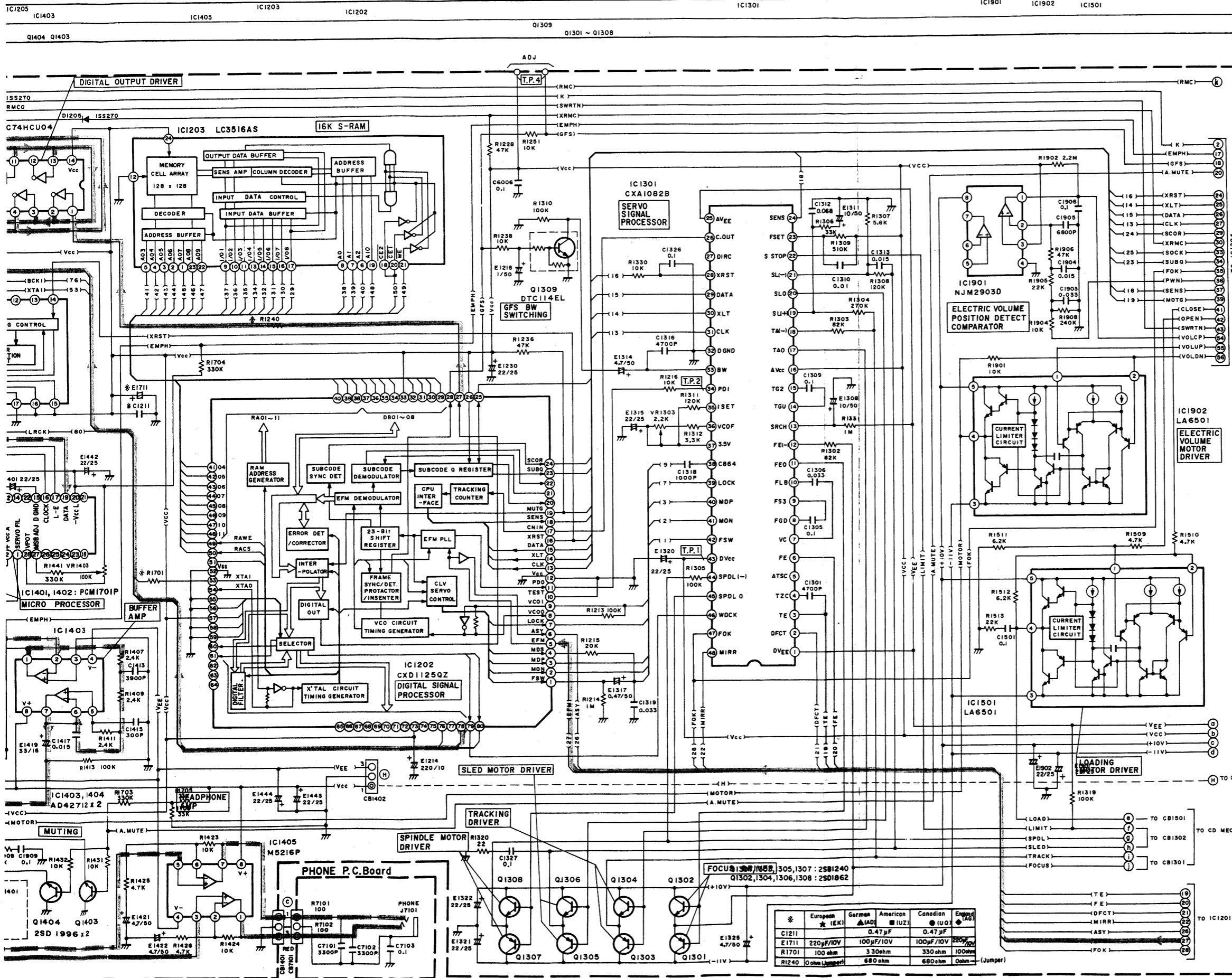
D

E

F - 18 -

G

H



Q1301	E	C	B
Q1301	0.4V	-11V	0.9V
Q1302	0.4V	10.2V	0.9V
Q1303	0V	-11V	0V
Q1304	0V	10.2V	0V
Q1305		-11V	0V
Q1306		10.2V	0V
Q1307	0.5V	-11V	1V
Q1308	0.5V	10.2V	1V
Q1309	0V	0V	2.9V
Q1403	0V	0V	-5V
Q1404	0V	0V	-5V

Q1401	D	G	S
Q1401	0V	-1.2V	0V
Q1402	0V	-1.2V	0V

IC1202	1	2	3	4	5	6	7	8	9	10	11	12	13	14	15
IC1202	0.1V	21		41	2.5V	61									
	2	5V	22	42	2.5V	62									
	3	2.6V	23	0.1V	43	2.5V	63								
	4	2.6V	24	0V	44	2.5V	64								
	5	2.5V	25	5V	45	2.5V	65								
	6	2.8V	26	5.1V	46		66								
	7	5.1V	27	2.4V	47		67								
	8	2.5V	28	5.1V	48		68								
	9	2.5V	29	0V	49	4.5V	69								
	10	0V	30	0V	50	2.7V	70								
	11	1.6V	31	0V	51	2.5V	71								
	12	0V	32	0V	52	0V	72								
	13	5.1V	33	5.1V	53	1.9V	73	5.1V							
	14	5.1V	34	0V	54		74								
	15	0V	35	0V	55	0V	75								
	16	5.1V	36	0V	56	0V	76	2.4V							
	17	0.1V	37	0V	57	5.1V	77								
	18	5.1V	38	2.5V	58	0V	78	0V							
	19	0V	39	2.5V	59	0V	79	2.5V							
	20		40	2.5V	60		80	2.5V							

IC1501	1	2	3	4	5
IC1501	1	0V			
	2	0V			
	3	-1.1V			
	4	0V			
	5	10.2V			

IC1203	1	2	3	4	5	6	7	8	9	10	11	12
IC1203	2.5V	13	0V									
	2	2.5V	14	0V								
	3	2.5V	15	0V								
	4	2.5V	16	0V								
	5	2.5V	17	0V								
	6	2.5V	18	2.7V								
	7	2.5V	19									
	8	2.5V	20	2.7V								
	9	0V	21	4.5V								
	10	0V	22									
	11	0V	23									
	12	0V	24	5.1V								

IC1403	1	2	3	4	5	6	7	8
IC1403	1	0V						
	2	0V						
	3	0V						
	4	-14V						
	5	5						
	6	6						
	7	7						
	8	12V						

IC1401	1	2	3	4	5	6	7	8	9	10	11	12	13	14
IC1401	15	0V												
	2	18	-12V											
	3	17												
	4	18	0V											
	5	19	5V											
	6	-11.3V	20											
	7	-11V	21											
	8	2.4V	22											
	9	5V	23	3.4V										
	10	-6.7V	24	1.9V										
	11	2.9V	25	3.7V										
	12	0V	26	0.12V										
	13	0V	27	-12V										
	14		28											

IC1901	1	2	3	4	5	6	7	8
IC1901	1	5V						
	2	3.5V						
	3	4						
	4	0V						
	5	5						
	6	7						
	7	5V						
	8	10.2V						

IC1402	1	2	3	4	5	6	7	8
IC1402	15	0V						
	2	16	-12V					
	3	17						
	4	18	0V					
	5	19	5V					
	6	20	3.4V					
	7	21	1.9V					
	8	22	3.7V					
	9	23	0.12V					
	10	24	5.1V					
	11	25	3.7V					
	12	26	0.12V					
	13	27	-12V					
	14	28						

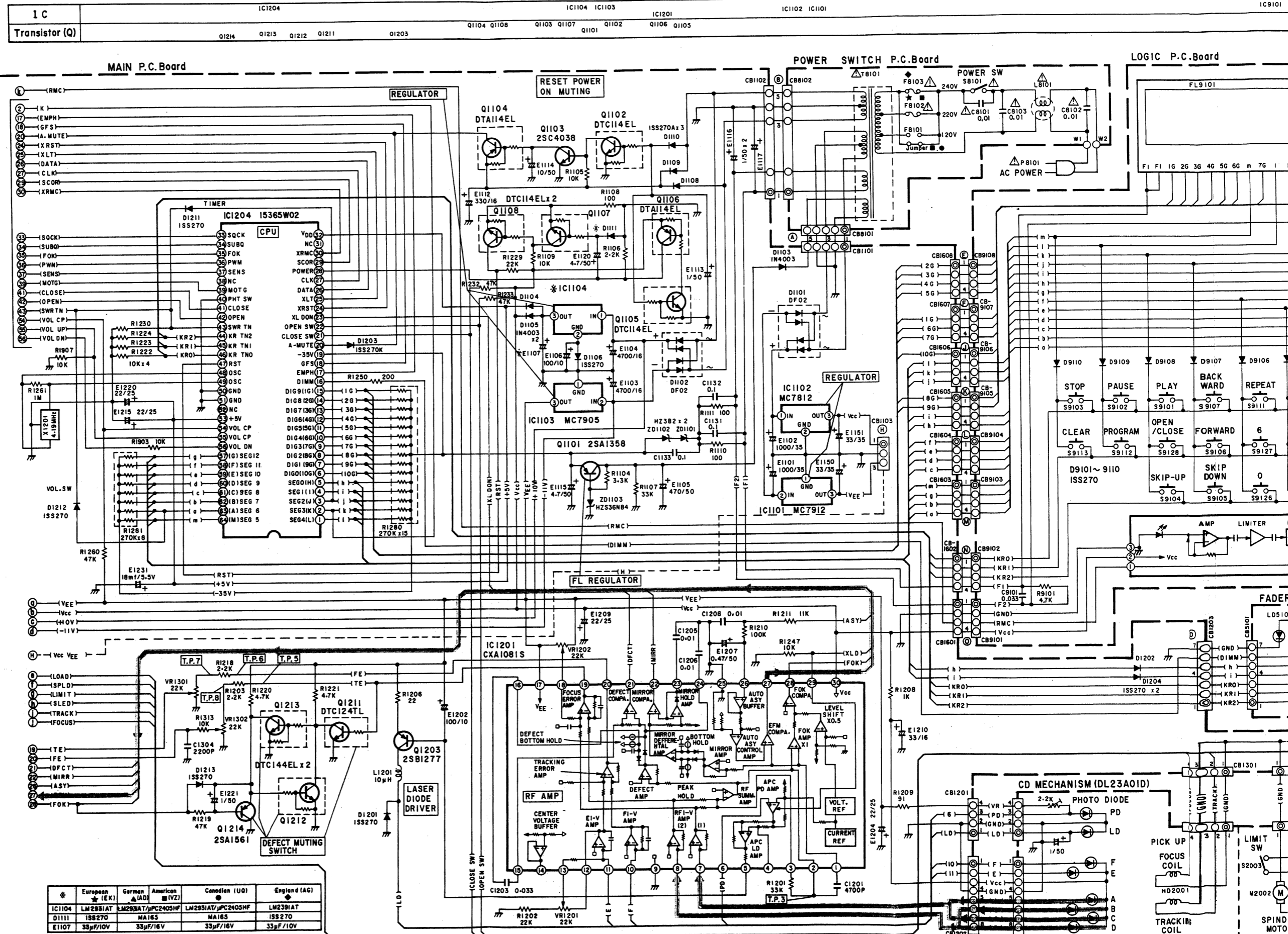
IC1301	1	2	3	4	5	6	7	8	9	10	11	12	13	14
IC1301	-4.5V	17	0V	33	2.5V									
	2	0V	18	0V	34	2.5V								
	3	0V	19	0V	35	2.2V								
	4	0V	20	0V	36	2.3V								
	5	0V	21	0V	37	3.6V								
	6	0V	22	-5V	38	2.4V								
	7	0V	23	-4.1V	39	5.1V								
	8	0V	24	5V	40	2.6V								
	9	0V	25	-5V	41	5V								
	10	0V	26	0.1V	42	2.6V								
	11	0.9V	27	5V	43	5.1V								
	12	0V	28	5.1V	44	0V								
	13	0.5V	29	0V	45	1V								
	14	0V	30	5.1V	46	2.5V								
	15	0V	31	5.1V	47	5V								
	16	5.1V	32	0V	48	0V								

IC1405	1	2	3
IC1405	1	15	0V
	2	16	-12V
	3	17	
	4	18	0V
	5	19	5V
	6	20	3.4V
	7	21	1.9V
	8	22	3.7V
	9	23	0.12V
	10	24	5.1V
	11	25	3.7V
	12	26	0.12V
	13	27	-12V
	14	28	

IC1406	1	2	3
IC1406	1	1.2V	
	2	0V	
	3	5V	

[Measuring Conditions]
 • Power Supply
 : AC 240V, 50Hz (AG model only)
 : AC 120/220/240V, 50Hz (AD/EX model only)
 : AC 120V, 60Hz (UZ/UQ model only)
 • Measuring Meter : Digital Multi Voltmeter
 • Measuring Point Reference : Between Ground
 • Measuring Condition : In Play Mode of CD Non-signal Track (Test CD : SONY YEDS-18 Track No. 7)

Schematic Diagram (2/2)



1

2

3

4

5

A

B - 20 -

C

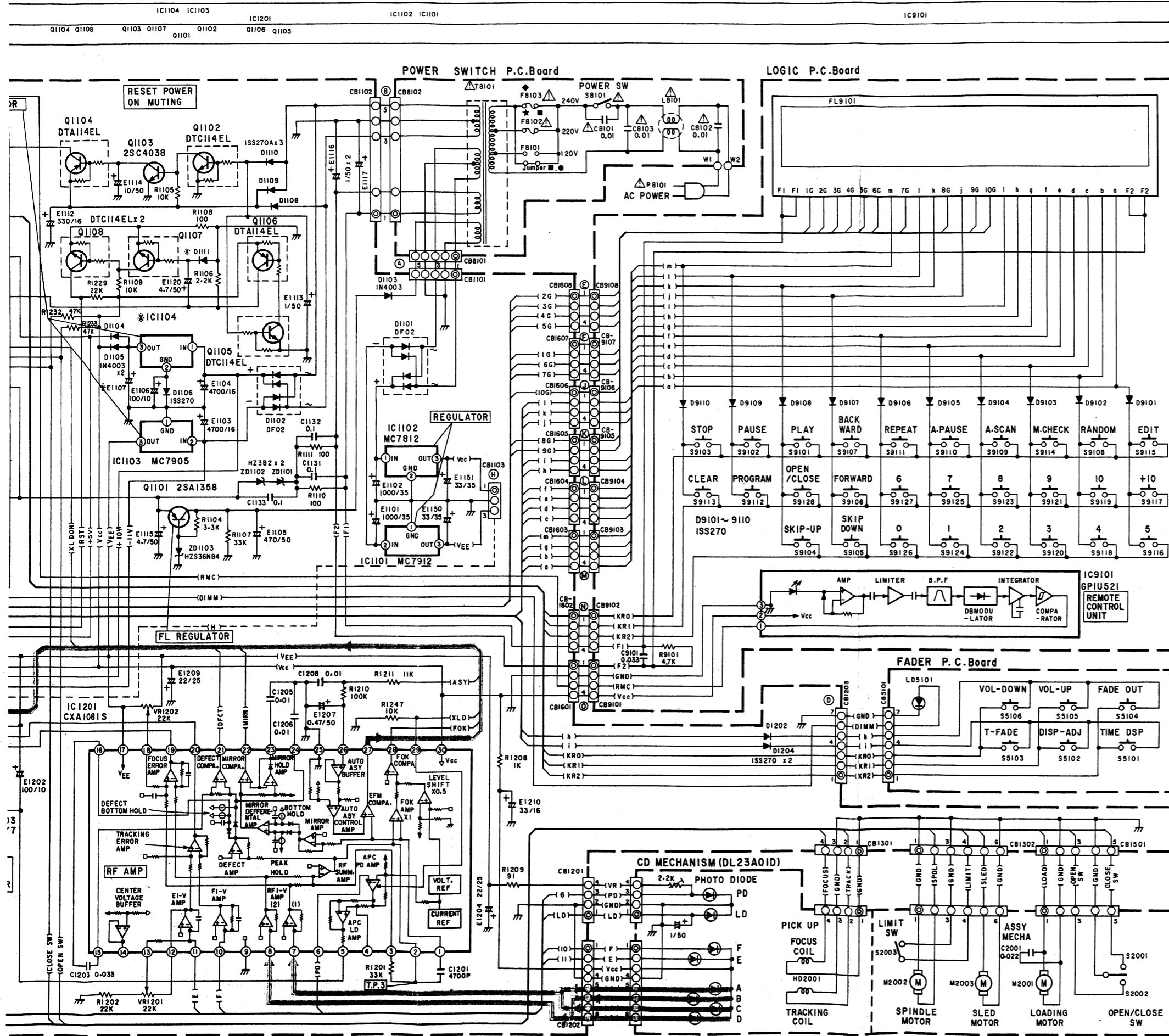
D

E

- 21 - F

G

H



CAUTION :
The Δ mark, the symbol No. in the schematic diagram designate components which have special characteristics important for safety and should be replaced only with types identical to those in the original circuit or specified in the parts list.

	E	C	B
Q1101	-34.8V	48.1V	-35.4V
Q1102	0V	0.01V	5.9V
Q1103	0V	10.5V	0.01V
Q1104		-5.9V	10.5V
Q1105	0V	0V	5.9V
Q1106	5V	0.03V	0V
Q1107	0.04V	2.9V	0.04V
Q1108	0.04V	0.04V	2.9V
Q1203	4V	1.8V	3.3V
Q1211	0V	0V	0.1V
Q1212	0V	0V	4.7V
Q1213	0V	4.7V	0V
Q1214	4.7V	0V	5V

IC1101		IC9101	
1	0V	1	4.8V
2	-19.2V	2	5V
3	-12.2V	3	0V

IC1102	
1	19.2V
2	0V
3	12V

IC1103	
1	0.7V
2	-11.5V
3	-5V

IC1104	
1	10.2V
2	
3	5.88V

IC1201			
1	0V	16	-2.9V
2	1.3V	17	-5V
3	1.3V	18	0V
4	3.1V	19	0.1V
5	3.3V	20	0V
6	-4.8V	21	-4.3V
7	0V	22	0V
8	0V	23	-1.2V
9	0V	24	-2V
10	0V	25	0V
11	0V	26	2.6V
12	-1.1V	27	2.5V
13	-0.7V	28	5V
14	0.1V	29	0.4V
15	-3V	30	5.1V

IC1204					
1	-26.1V	17	-11.9V	33	5V
2	-22V	18	5V	34	1V
3	-0.2V	19	5V	35	0.03V
4	-24V	20	-5.7V	36	0V
5	1.8V	21	0V	37	5V
6	-0.03V	22	5.1V	38	5V
7	-0.03V	23	0.4V	39	0V
8	-0.03V	24	5.1V	40	0V
9	-0.03V	25	5.1V	41	0V
10	-0.03V	26	0.03V	42	0V
11	-0.03V	27	5.1V	43	3.7V
12	-0.03V	28	5V	44	0V
13	-0.03V	29	0.03V	45	0V
14	-0.03V	30	5V	46	0V
15	-0.03V	31		47	0.05V
16	0.01V	32	5.14V	48	2.35V
				49	2.35V
				50	
				51	
				52	
				53	5.1V
				54	5V
				55	0V
				56	0V
				57	-26.5V
				58	-18.9V
				59	-25V
				60	-17V
				61	
				62	-13V
				63	-13V
				64	-29V

[Measuring Conditions]
 • Power Supply
 : AC 240V, 50Hz (AC model only)
 : AC 120/220/240V, 50Hz (AD/EX model only)
 : AC 120V, 60Hz (UZ/UQ model only)
 • Measuring Meter : Digital Multi Voltmeter
 • Measuring Point Reference : Between Ground
 • Measuring Condition : In Play Mode of CD Non-signal Track
 (Test CD : SONY YEDS-18 Track No. 7)

NOTES:
 1. All resistance values are in ohms. K = 1,000
 2. All capacitance values are in microfarads. P = $\frac{1}{1,000,000}$

Electrical Parts List

Resistor : Carbon resistors under 1/4 watts are not mentioned in the parts list, please confirm them by schematic diagram.
 uF=microfarads, pF=picofarads

Abbreviations	
RES.=Resistor	CAP.=Capacitor
C.F.=Carbon Film	ELY.=Electrolytic
M.F.=Metal Film	CER.=Ceramic
M.O.=Metal Oxide Film	MYL.=Mylar
M.P.=Metal Plate	TAN.=Tantalum
TR.=Transistor	POLY.=Polystyrol
TRANS.=Transformer	PP.=Polypropylene
CP.=Chip	PLT.=Polyethylene

Symbol No.	Part No.	Description
------------	----------	-------------

Main P. C. Board

IC's

IC1101	51T94885F04	MC7912
IC1102	51T94884F04	MC7812
IC1103	51T94885F01	MC7905
● IC1104	51T16626W01	LM2931AT
● or	51T16168W02	μ PC2405HF
◆ IC1104	51T16626W01	LM2931AT
■ IC1104	51T16168W02	μ PC2405HF
■ or	51T16626W01	LM2931AT
▲ IC1104	51T16168W02	μ PC2405HF
▲ or	51T16626W01	LM2931AT
★ IC1104	51T16626W01	LM2931AT
IC1201	51T84721F01	CXA1081S
IC1202	51T84720F01	CXD1125QZ
or	51T84719F01	CXD1135QZ
IC1203	51T84723F01	LC3516AS
or	51T80623F02	CXK5816SP
IC1204	51T15365W02	15365W02
IC1205	51T94890F01	MC74HCU04
IC1301	51T84722F02	CXA1082BS
IC1401	51T16014W02	PCM1701P
IC1402	51T16014W02	PCM1701P
IC1403	51T15097W02	AD42712
IC1404	51T15097W02	AD42712
IC1405	51T81896F01	M5216P
IC1406	51T94884F01	MC7805
IC1501	51T90889F01	LA6501
IC1701	51T15628W01	SM5813AP
IC1901	51T64227F01	NJM2903D
IC1902	51T90889F01	LA6501

Transistors

Q1101	48T69177F01	2SA1358
Q1102	48T82763F02	DTC114EL
Q1103	48T82758F01	2SC4038
Q1104	48T82762F02	DTA114EL
Q1105	48T82763F02	DTC114EL

Symbol No.	Part No.	Description
Q1106	48T82762F02	DTA114EL
Q1107	48T82763F02	DTC114EL
Q1108	48T82763F02	DTC114EL
Q1203	48T82759F01	2SB1277
Q1211	48T82763F11	DTC124TL
Q1212	48T82763F04	DTC144EL
Q1213	48T82763F04	DTC144EL
Q1214	48T82757F01	2SA1561
Q1301	48T84238F04	2SB1240
Q1302	48T83834F04	2SD1862
Q1303	48T84238F04	2SB1240
Q1304	48T83834F04	2SD1862
Q1305	48T84238F04	2SB1240
Q1306	48T83834F04	2SD1862
Q1307	48T84238F04	2SB1240
Q1308	48T83834F04	2SD1862
Q1309	48T82763F02	DTC114EL
Q1401	48T66948F02	FET, 2SK246
Q1402	48T66948F02	FET, 2SK246
Q1403	48T90183F01	2SD1996
Q1404	48T90183F01	2SD1996

Diodes

D1101	48T15662W01	DF02
D1102	48T15662W01	DF02
D1103	48S40477U01	IN4003
D1104	48S40477U01	IN4003
D1105	48S40477U01	IN4003
D1106	48T84758F01	1SS270
or	48T58583F01	1SS176
D1108	48T84758F01	1SS270
or	48T58583F01	1SS176
D1109	48T84758F01	1SS270
or	48T58583F01	1SS176
D1110	48T84758F01	1SS270
or	48T58583F01	1SS176
★ D1111	48T84758F01	1SS270
■ D1111	48T44813F02	MA165
▲ D1111	48T44813F02	MA165
◆ D1111	48T84758F01	1SS270
● D1111	48T44813F02	MA165
D1201	48T84758F01	1SS270
or	48T58583F01	1SS176
D1202	48T84758F01	1SS270
or	48T58583F01	1SS176

Note : ★ : For General European model only (EK), ▲ : For West German model only (AD),
 ■ : For North American model only (UZ), ● : For Canadian model only (UQ),
 ◆ : For England model only (AG), Others : Common.

Symbol No.	Part No.	Description			Symbol No.	Part No.	Description		
D1203	48T84758F01	1SS270			★ E1107	23T00149L11	ELY., 33 μ F/10V		
or	48T58583F01	1SS176			■ E1107	23T00181L17	ELY., 33 μ F/16V		
D1204	48T84758F01	1SS270			● E1107	23T00181L17	ELY., 33 μ F/16V		
or	48T58583F01	1SS176			▲ E1107	23T00181L17	ELY., 33 μ F/16V		
D1205	48T84758F01	1SS270			◆ E1107	23T00149L11	ELY., 33 μ F/10V		
or	48T58583F01	1SS176							
D1210	48T84758F01	1SS270			E1112	23T00181L19	ELY., 330 μ F/16V		
or	48T58583F01	1SS176			E1113	23T00180L21	ELY., 1 μ F/50V		
D1211	48T84758F01	1SS270			E1114	23T00180L25	ELY., 10 μ F/50V		
or	48T58583F01	1SS176			E1115	23T00180L24	ELY., 4.7 μ F/50V		
D1212	48T84758F01	1SS270			E1116	23T00180L21	ELY., 1 μ F/50V		
or	48T58583F01	1SS176							
D1213	48T84758F01	1SS270			E1117	23T00180L21	ELY., 1 μ F/50V		
or	48T58583F01	1SS176			★ E1120	23T00180L24	ELY., 4.7 μ F/50V		
ZD1101	48T52739F11	Zener, HZ3B-2			◆ E1120	23T00180L24	ELY., 4.7 μ F/50V		
ZD1102	48T52739F11	Zener, HZ3B-2			■ E1120	23T00181L43	ELY., 4.7 μ F/50V		
ZD1103	48T90517F91	Zener, HZS36NB4			▲ E1120	23T00181L43	ELY., 4.7 μ F/50V		
Coil/Transformer/Crystals									
L1201	24T50508F22	Coil, Inductor, 10 μ H			E1151	23T00180L17	ELY., 33 μ F/35V		
T6001	25T94882F01	Trans, Puls			C1201	08T57705F63	MYL., 4700pF		
X1201	91T15285W01	CER., LOCK 4.19MHz			E1202	23T00180L04	ELY., 100 μ F/10V		
X1701	48T84727F02	Crystal, AT-51 16.9344MHz			C1203	08T57705F73	MYL., 0.033 μ F		
Jacks					E1204	23T00180L12	ELY., 22 μ F/25V		
J1201	09T84124F01	Jack, Headphone Mini W (S1201) (Serial Remote)							
J1401	09T15974W03	Jack, T6302 (Analog Out)			C1205	08T57705F67	MYL., 0.01 μ F		
J1402	09T15974W03	Jack, T6302 (Analog Out)			C1206	08T57705F67	MYL., 0.01 μ F		
J6001	09T15627W02	Jack, T6314 ORG NI (Digital Out)			E1207	23T00180L20	ELY., 0.47 μ F/50V		
J7101	09T74077F02	Jack, Phones (Phones)			C1208	08T57705F67	MYL., 0.01 μ F		
Capacitors					E1209	23T00180L12	ELY., 22 μ F/25V		
E1101	23T00181L37	ELY., 1000 μ F/35V							
E1102	23T00181L37	ELY., 1000 μ F/35V			E1210	23T00180L08	ELY., 33 μ F/16V		
E1103	23T00181L24	ELY., 4700 μ F/16V			● C1211	08T94422F01	CER., 0.47 μ F		
E1104	23T00181L24	ELY., 4700 μ F/16V			■ C1211	08T94422F01	CER., 0.47 μ F		
E1105	23T00136L71	ELY., 470 μ F/50V			▲ C1211	08T94422F01	CER., 0.47 μ F		
◆ E1106	23T00149L13	ELY., 100 μ F/10V			★ E1214	23T00138L13	ELY., 220 μ F/10V		
● E1106	23T00181L09	ELY., 100 μ F/10V							
★ E1106	23T00149L13	ELY., 100 μ F/10V			■ E1214	23T00180L05	ELY., 220 μ F/10V		
■ E1106	23T00181L09	ELY., 100 μ F/10V			▲ E1214	23T00180L05	ELY., 220 μ F/10V		
▲ E1106	23T00181L09	ELY., 100 μ F/10V			● E1214	23T00180L05	ELY., 220 μ F/10V		
					◆ E1214	23T00138L13	ELY., 220 μ F/10V		
					E1215	23T00180L12	ELY., 22 μ F/25V		
					E1218	23T00180L21	ELY., 1 μ F/50V		
					E1220	23T00180L12	ELY., 22 μ F/25V		
					E1221	23T00180L21	ELY., 1 μ F/50V		
					E1230	23T00180L12	ELY., 22 μ F/25V		
					E1231	23T74513F06	ELY., 18mF/5.5V		
					C1301	08T57705F63	MYL., 4700pF		
					C1304	08T57705F59	MYL., 2200pF		
					C1305	08T57705F79	MYL., 0.1 μ F		
					C1306	08T57705F73	MYL., 0.033 μ F		
					E1308	23T00180L25	ELY., 10 μ F/50V		

Note: ★ : For General European model only (EK), ▲ : For West German model only (AD),
 ■ : For North American model only (UZ), ● : For Canadian model only (UQ),
 ◆ : For England model only (AG), Others : Common.

Symbol No.	Part No.	Description			Symbol No.	Part No.	Description		
C1309	08T57705F79	MYL., 0.1 μ F			C1604	08T57298F01	CER., 0.1 μ F		
C1310	08T57705F67	MYL., 0.01 μ F			C1606	08T40794F50	CER., 1000pF		
E1311	23T00180L25	ELY., 10 μ F/50V			C1701	08T55260F13	CER., 10pF		
C1312	08T57705F77	MYL., 0.068 μ F			C1702	08T55260F13	CER., 10pF		
C1313	08T57705F69	MYL., 0.015 μ F			● E1711	23T00180L04	ELY., 100 μ F/10V		
E1314	23T00180L24	ELY., 4.7 μ F/50V			★ E1711	23T00138L13	ELY., 220 μ F/10V		
E1315	23T00180L12	ELY., 22 μ F/25V			■ E1711	23T00180L04	ELY., 100 μ F/10V		
C1316	08T57705F63	MYL., 4700pF			▲ E1711	23T00180L04	ELY., 100 μ F/10V		
E1317	23T00180L20	ELY., 0.47 μ F/50V			◆ E1711	23T00138L13	ELY., 220 μ F/10V		
C1318	08T57705F55	MYL., 1000pF			E1901	23T00180L12	ELY., 22 μ F/25V		
C1319	08T57705F73	MYL., 0.033 μ F			E1902	23T00180L12	ELY., 22 μ F/25V		
E1320	23T00180L12	ELY., 22 μ F/25V			C1903	08T57705F73	MYL., 0.033 μ F		
E1321	23T00180L12	ELY., 22 μ F/25V			C1904	08T57705F69	MYL., 0.015 μ F		
E1322	23T00180L12	ELY., 22 μ F/25V			C1905	08T57705F65	MYL., 6800pF		
E1325	23T00180L24	ELY., 4.7 μ F/50V			C1906	08T57298F01	CER., 0.1 μ F		
C1326	08T57298F01	CER., 0.1 μ F			◆ C1909	08T42629F79	MYL., 0.1 μ F		
C1327	08T57705F79	MYL., 0.1 μ F			★ C1909	08T42629F79	MYL., 0.1 μ F		
E1401	23T00180L12	ELY., 22 μ F/25V			● C1909	08S65480F63	CER., 0.1 μ F		
E1402	23T00180L12	ELY., 22 μ F/25V			■ C1909	08S65480F63	CER., 0.1 μ F		
E1403	23T00180L12	ELY., 22 μ F/25V			▲ C1909	08S65480F63	CER., 0.1 μ F		
E1404	23T00180L12	ELY., 22 μ F/25V			E1910	23T00180L12	ELY., 22 μ F/25V		
E1405	23T00180L12	ELY., 22 μ F/25V			E6002	23T00180L12	ELY., 22 μ F/25V		
E1406	23T00180L12	ELY., 22 μ F/25V			C8003	08T57298F01	CER., 0.1 μ F		
E1407	23T00180L12	ELY., 22 μ F/25V			C6004	08T57298F01	CER., 0.1 μ F		
E1408	23T00180L12	ELY., 22 μ F/25V			C6006	08T57298F01	CER., 0.1 μ F		
C1409	08T93406F51	PP., 0.012 μ F			Resistors				
C1410	08T93406F51	PP., 0.012 μ F			R1280	06T74182F09	Block, 270k ohm × 5		
C1411	08T00152L08	PP., 820pF			R1281	06T74182F08	Block, 270k ohm × 8		
C1412	08T00152L08	PP., 820pF			R1490	06T92263F37	MF., 330 ohm 1W		
C1413	08T00152L16	PP., 3900pF			VR1201	18T15356W15	Variable, RH0634C 22k ohm		
C1414	08T00152L16	PP., 3900pF			VR1202	18T15356W15	Variable, RH0634C 22k ohm		
C1415	08T93406F12	PP., 300pF			VR1301	18T15356W15	Variable, RH0634C 22k ohm		
C1416	08T93406F12	PP., 300pF			VR1302	18T15356W15	Variable, RH0634C 22k ohm		
C1417	08T93406F53	PP., 0.015 μ F			VR1303	18T15356W09	Variable, RH0634C 2.2k ohm		
C1418	08T93406F53	PP., 0.015 μ F			VR1401	18T10803W03	Variable, RK16313MA (10K) (M1401)		
E1419	23T00180L08	ELY., 33 μ F/16V			VR1403	18T15356W19	Variable, RH0634C 100k ohm		
E1420	23T00180L08	ELY., 33 μ F/16V			VR1404	18T15356W19	Variable, RH0634C 100k ohm		
C1421	08T57705F55	MYL., 1000pF							
E1421	23T00180L24	ELY., 4.7 μ F/50V							
C1422	08T57705F55	MYL., 1000pF							
E1422	23T00180L24	ELY., 4.7 μ F/50V							
C1423	08T57705F55	MYL., 1000pF							
C1424	08T57705F55	MYL., 1000pF							
E1441	23T00180L12	ELY., 22 μ F/25V							
E1442	23T00180L12	ELY., 22 μ F/25V							
E1443	23T00180L12	ELY., 22 μ F/25V							
E1444	23T00180L12	ELY., 22 μ F/25V							
C1501	08T57705F79	MYL., 0.1 μ F							
C1601	08T57298F01	CER., 0.1 μ F							
C1603	08T57298F01	CER., 0.1 μ F							

Note : ★ : For General European model only (EK), ▲ : For West German model only (AD),
 ■ : For North American model only (UZ), ● : For Canadian model only (UQ),
 ◆ : For England model only (AG), Others : Common.

Symbol No.	Part No.	Description		
Fader P. C. Board				
LED				
LD5101	48T66616F02	SLR-54VR3 (RED)		
Switches				
S5101	40T83324F11	Tact SKHHAP (TIME DSP)		
S5102	40T83324F11	Tact SKHHAP (DISP-ADJ)		
S5103	40T83324F11	Tact SKHHAP (T-FADE)		
S5104	40T83324F11	Tact SKHHAP (FADE-OUT)		
S5105	40T83324F11	Tact SKHHAP (VOL-UP)		
S5106	40T83324F11	Tact SKHHAP (VOL-DOWN)		
Photo P. C. Board				
Capacitors				
C7101	08T57705F61	MYL., 3300pF		
C7102	08T57705F61	MYL., 3300pF		
C7103	08T57298F01	CER., 0.1 μ F		
Power Switch P. C. Board				
Coils/Switch				
★ L8101	24T15610W01	Coil, PLA6003R3A		
■ L8101	24T16397W01	Filter, Line SU10V-20006		
▲ L8101	24T16397W01	Filter, Line SU10V-20006		
● L8101	24T16397W01	Filter, Line SU10V-20006		
◆ L8101	24T15610W01	Coil, RLA6003R3A		
S8101	40T84122F01	Switch, Power SDDLE (Power Switch)		
Capacitors				
■ C8101	08T00195L01	POLY., 0.01 μ F		
★ C8101	08T00195L01	POLY., 0.01 μ F		
▲ C8101	08T00196L01	POLY., 0.01 μ F		
● C8101	08T00195L01	POLY., 0.01 μ F		
◆ C8101	08T00195L01	POLY., 0.01 μ F		

Symbol No.	Part No.	Description		
■ C8102	08T00195L01	POLY., 0.01 μ F		
▲ C8102	08T00196L01	POLY., 0.01 μ F		
● C8102	08T00195L01	POLY., 0.01 μ F		
★ C8102	08T00196L01	POLY., 0.01 μ F		
◆ C8102	08T00196L01	POLY., 0.01 μ F		
■ C8103	08T00195L01	POLY., 0.01 μ F		
▲ C8103	08T00196L01	POLY., 0.01 μ F		
★ C8103	08T00196L01	POLY., 0.01 μ F		
● C8103	08T00195L01	POLY., 0.01 μ F		
◆ C8103	08T00196L01	POLY., 0.01 μ F		
Logic P. C. Board				
IC's				
IC9101 or	51T16094W01 51T16094W02	GP1U521 GP1U521X		
Diodes				
D9101 or	48T84758F01 48T58583F01	1SS270 1SS176		
D9102 or	48T84758F01 48T58583F01	1SS270 1SS176		
D9103 or	48T84758F01 48T58583F01	1SS270 1SS176		
D9104 or	48T84758F01 48T58583F01	1SS270 1SS176		
D9105 or	48T84758F01 48T58583F01	1SS270 1SS176		
D9106 or	48T84758F01 48T58583F01	1SS270 1SS176		
D9107 or	48T84758F01 48T58583F01	1SS270 1SS176		
D9108 or	48T84758F01 48T58583F01	1SS270 1SS176		
D9109 or	48T84758F01 48T58583F01	1SS270 1SS176		
D9110 or	48T84758F01 48T58583F01	1SS270 1SS176		
Switches				
S9101	40T83324F11	Tact SKHHAP (PLAY)		
S9102	40T83324F11	Tact SKHHAP (PAUSE)		
S9103	40T83324F11	Tact SKHHAP (STOP)		
S9104	40T83324F11	Tact SKHHAP (SKIP-UP)		
S9105	40T83324F11	Tact SKHHAP (SKIP-DOWN)		

Note: ★ : For General European model only (EK), ▲ : For West German model only (AD),
 ■ : For North American model only (UZ), ● : For Canadian model only (UQ),
 ◆ : For England model only (AG), Others : Common.

Symbol No.	Part No.	Description			Symbol No.	Part No.	Description		
S9106	40T83324F11	Tact SKHHAP (FORWARD)			M2001	01V11200W42	Assy., Loading Motor		
S9107	40T83324F11	Tact SKHHAP (BACKWARD)			M2002	59T81431F01	Spindle Motor		
S9108	40T83324F06	Tact SKHHAN (RANDOM)			M2003	01V94700F74	Assy., Slider Motor		
S9109	40T83324F06	Tact SKHHAN (A-SCAN)			★ P8101	28T43812P04	Plug, Cord		
S9110	40T83324F06	Tact SKHHAN (A-PAUSE)			▲ P8101	28T43812F04	Plug, Cord		
S9111	40T83324F06	Tact SKHHAN (REPEAT)			◆ P8101	28T44061F05	Plug, Cord		
S9112	40T83324F11	Tact SKHHAP (PROGRAM)			■ P8101	28T55335F02	Plug, Cord		
S9113	40T83324F11	Tact SKHHAP (CLEAR)			● P8101	28T55335F02	Plug, Cord		
S9114	40T83324F11	Tact SKHHAP (M-CHECK)			S2001	40T71025F01	Switch, Detector (IN/OUT)		
S9115	40T83324F11	Tact SKHHAP (EDIT)			S2002	40T71025F01	Switch, Detector (IN/OUT)		
S9116	40T83324F11	Tact SKHHAP (M5)			S2003	40T71025F01	Switch, Detector (Limit)		
S9117	40T83324F11	Tact SKHHAP (+10)			★ T8101	25T16148W01	Trans, Power		
S9118	40T83324F11	Tact SKHHAP (M4)			▲ T8101	25T16148W01	Trans, Power		
S9119	40T83324F11	Tact SKHHAP (M10)			■ T8101	25T16148W01	Trans, Power		
S9120	40T83324F11	Tact SKHHAP (M3)			● T8101	25T16147W01	Trans, Power		
S9121	40T83324F11	Tact SKHHAP (M9)			◆ T8101	25T16148W01	Trans, Power		
S9122	40T83324F11	Tact SKHHAP (M2)							
S9123	40T83324F11	Tact SKHHAP (M8)							
S9124	40T83324F11	Tact SKHHAP (M1)							
S9125	40T83324F11	Tact SKHHAP (M7)							
S9126	40T83324F11	Tact SKHHAP (M0)							
S9127	40T83324F11	Tact SKHHAP (M6)							
S9128	40T83324F11	Tact SKHHAP (OPEN/CLOSE)							
Capacitor									
C9101	08T57705F73	MYL., 0.033 μ F							
Miscellaneous									
★ C2001	08S40154T63	CAP., CER., 0.022 μ F							
★ F8102	65T42077U11	Fuse, Semko (315mA)							
▲ F8102	65T42077U11	Fuse, Semko (315mA)							
◆ F8103	65T42077U11	Fuse, Semko (315mA)							
FL9101	65T15386W01	Display, FL							
HD2001	88T81528F01	Head, Optical Pick Up							

Note : ★ : For General European model only (EK), ▲ : For West German model only (AD),
 ■ : For North American model only (UZ), ● : For Canadian model only (UQ),
 ◆ : For England model only (AG), Others : Common.

Cabinet Assembly Parts List

NOTE: The parts without part numbers are not supplied.

Symbol No.	Index	Part No.	Description	Symbol No.	Index	Part No.	Description
	1	4-A	01C12897W01	Assy., Front Panel			
	2	2-F	15C12903W01	Cover, Top			
★	4		15C12902W01	Cover, Rear			
▲	4	4-H	15C12902W01	Cover, Rear			
■	4	4-H	15C12902W03	Cover, Rear			
◆	4		15C12902W01	Cover, Rear			
●	4		15C12902W03	Cover, Rear			
	5	3-D	03S44205G49	Screw, Bind (M4 × 8)			
	6	3-G	43T16093W01	Support, Cord			
	7		03S71031F04	Screw, Bind (M3 × 8)			
	8	2-B	03S71677F08	Screw, Pan (M2.6 × 8)			
	9	4-F	07A91046F01	Support, P.C.B.			
	10	2-D	03C42723U01	Screw, Cup (M3 × 6)			
	11	2-C	47A12896W01	Shaft, Power			
	12	2-C	43T25269W01	Pushing, Rubber			
	13	1-D	03A83946F01	Screw, Special (M3 × 35)			
	14	1-D	04S40071G14	Washer, Spring (M4.1)			
	15	1-D	04S40070G59	Washer, Flat (M4.1)			
	17		03S71031F02	Screw, Bind (M2.6 × 8)			
	20	3-A	36A12937W01	Knob, Power			
	23	3-F	03D40014G09	Screw, W/Washer (M3 × 5)			
◆	26		09T51410F01	Holder, Fuse			
★	26	3-D	09T51410F01	Holder, Fuse			
▲	26	3-D	09T51410F01	Holder, Fuse			
	28	4-C	01T15318W01	Assy., Lug Wire (1P)			
	30	3-C	75S12196W21	Cushion, Rubber			
	31		07A83876F01	Support, FL			
	32		03S40036U01	Screw, W/Washer (M4 × 8)			
	33		75A96563F01	Pad, Trannleg			
	34		03S71677F25	Screw, Bind (M4 × 12)			
	35	2-C	64B10696W04	Tray Z Panel			
	37	3-H	16T82537F01	CAP., Pin Jack			
	38	4-A	36A12907W01	Knob, Tact 10Key			
	39		36A12909W01	Knob, Tact L			
	40	3-A	36A12909W02	Knob, Tact Up			
	41	3-A	36A12909W03	Knob, Tact Down			
	42	1-E	03S13049W04	Screw, Bind (M3 × 33)			

Note: ★ : For General European model only (EK), ▲ : For West German model only (AD),
 ■ : For North American model only (UZ), ● : For Canadian model only (UQ),
 ◆ : For England model only (AG), Others : Common.

Exploded View (Cabinet)

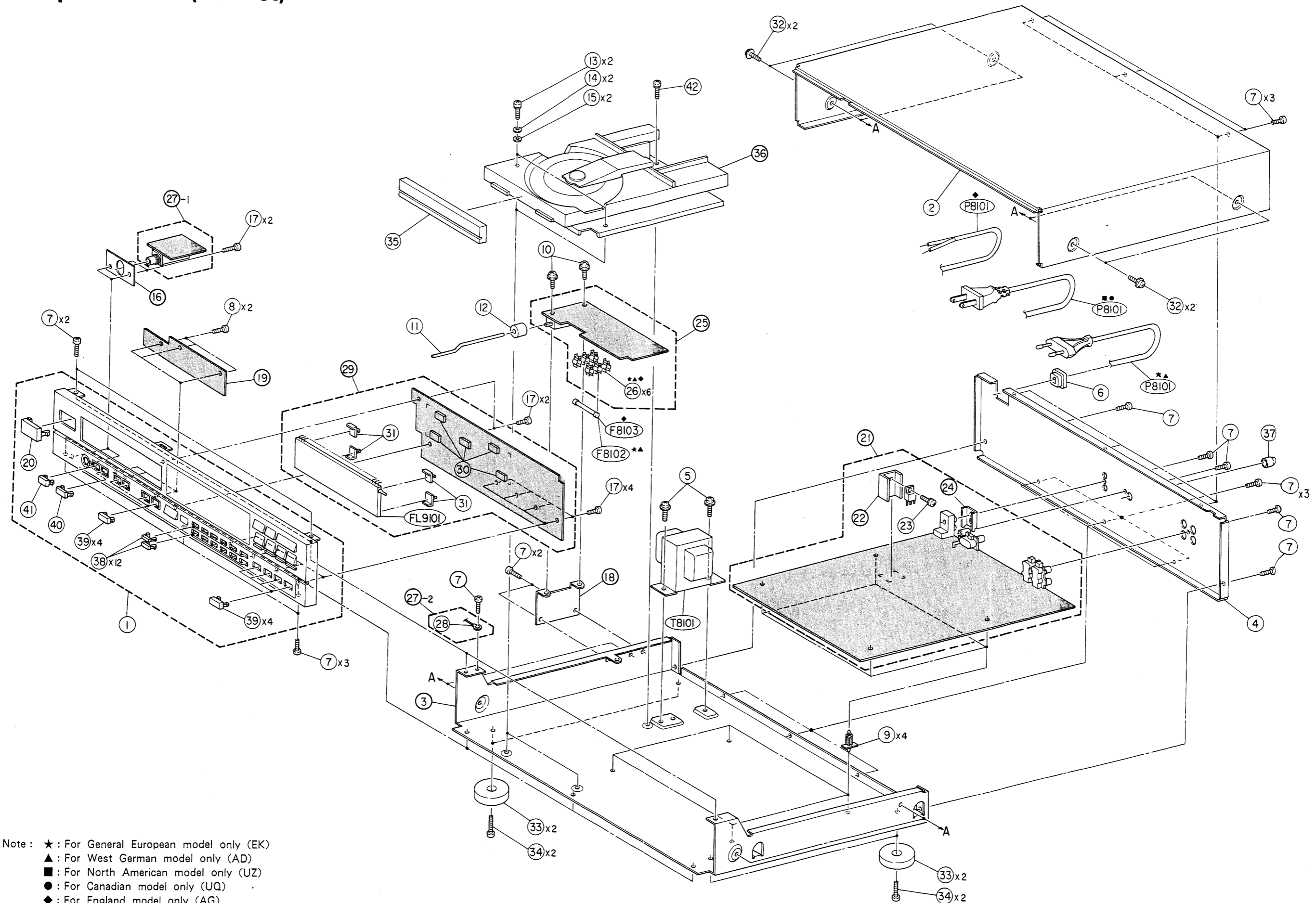
1

2

3

4

5



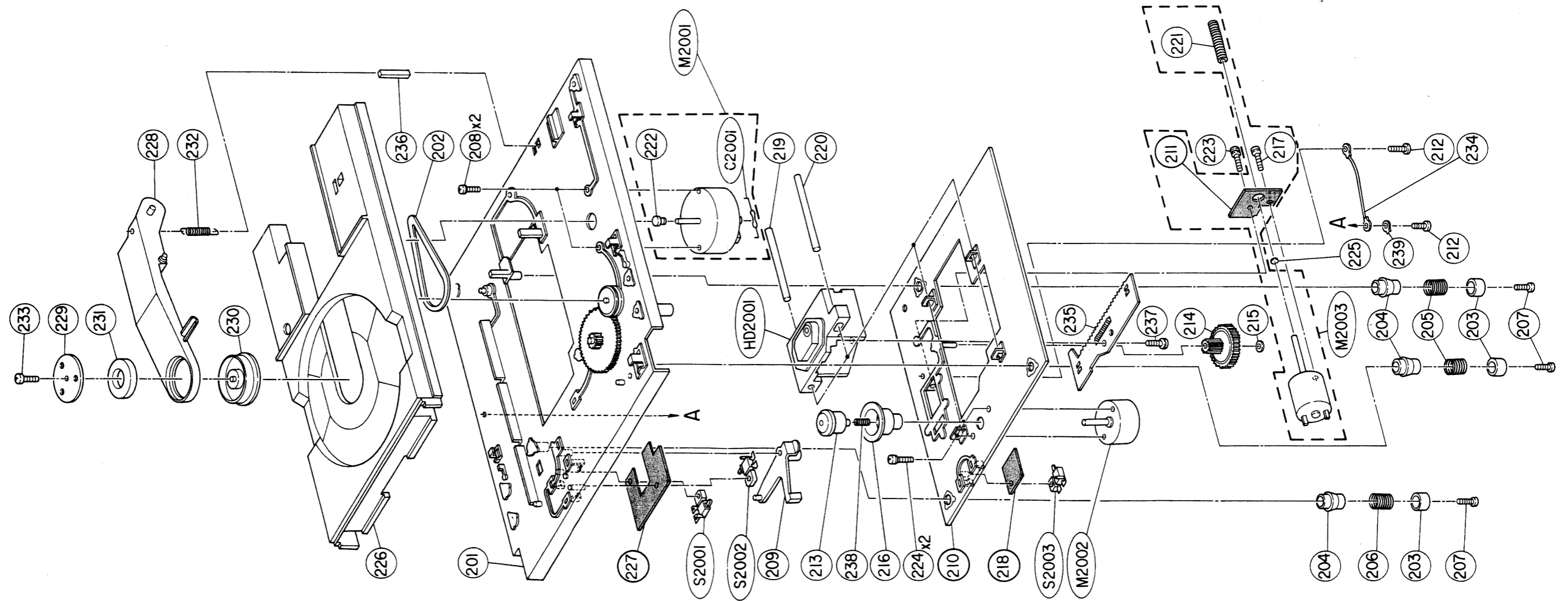
Note: ★ : For General European model only (EK)
 ▲ : For West German model only (AD)
 ■ : For North American model only (UZ)
 ● : For Canadian model only (UQ)
 ◆ : For England model only (AG)
 Others : Common

A | B - 29 - | C | D | E | F - 30 - | G | H

Exploded View (CD Mechanism)

DZ-112 DZ-112

1
2
3
4
5



A B - 31 - C D E F - 32 - G H

CD Mechanism Assembly Parts List

Symbol No.	Index	Part No.	Description			Symbol No.	Index	Part No.	Description		
201	4-C	01C82391F02	Assy., Main Chassis								
202	3-C	42A81427F02	Belt, Drive								
203		43A81407F01	Bush, Damper								
204		75A81411F01	Rubber, Damper								
205	3-G	41A81428F03	Spring, Compression								
206	4-G	41A81428F05	Spring, Compression								
207		03S40012G18	Screw, Tapping (M2.6 × 6)								
208	3-C	03D40014G19	Screw, W/Washer (M2.6 × 5)								
209	4-D	45A81434F01	Arm, Switch								
212		03S44205G30	Screw, Pan (M2.6 × 4)								
213	4-E	49B81417F01	Disc, Guide								
214	3-F	44A81401F01	Gear, Worm Wheel								
215	3-G	04A41345P02	Washer, Lock (M1.7)								
216	4-E	49B81414F01	Disc, Table								
217	3-G	03D40014G62	Screw, W/Washer (M2 × 3)								
219	3-D	47A81426F01	Shaft, Head								
220	3-E	47A81426F02	Shaft, Head								
221	2-F	44A96257F01	Worm, Drive								
222	3-D	49A81397F01	Pulley, Loading Motor								
223	3-F	03C40121T31	Screw, W/Double Washer (M2 × 6)								
224	4-E	03D40014G07	Screw, W/Washer (M2 × 4)								
225	3-G	43A41182P02	Ball Steel								
226	4-C	01C10716W01	Assy., Tray Disc								
228	3-B	45C81418F04	Arm, Clamp								
229	3-A	07A81413F02	Bracket, Magnet								
230	3-B	49A81403F01	Wheel, Clamp								
231	3-A	59T81430F01	Magnet								
232	3-B	41B81429F02	Spring, Extension								
233	3-A	03S70494F08	Screw, Bind (M2 × 5)								
234	3-H	01T92483F01	Assy., Lug Wire (1P)								
235	3-F	01A82323F01	Assy., Rack								
236	3-C	75S12196W06	Cushion, Rubber								
237	3-F	03S70494F01	Screw, Bind (M2 × 5)								
238	4-E	41A81428F01	Spring, Compression								
239	3-G	01T84733F11	Assy., Lug Wire								

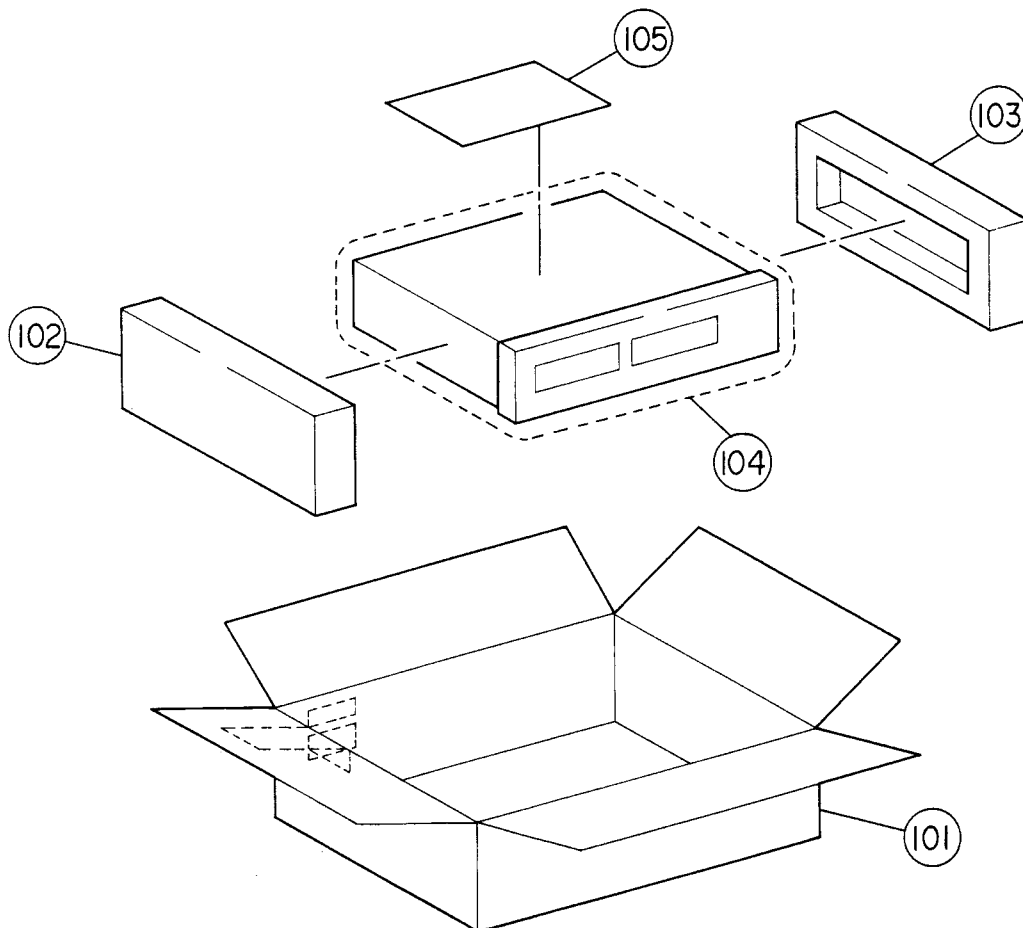
NOTE: The parts without part numbers are not supplied.

Packing Assembly Parts List

Symbol No.	Part No.	Description			Symbol No.	Part No.	Description		
101	56S10005W36	Carton, Packing			▲ 105-1	68P96552F35	Owner's, Manual		
102	56D13765W01	Tray, Packing (L)			■ 105-1	68P96552F34	Owner's, Manual		
103	56D13765W02	Tray, Packing (R)			105-2	28T70621F03	Plug, Output		
104	56B40230G23	Sack, Polyethylene			105-3	01T82091F01	Assy., Mini Plug Cord		
★ 105-1	68P96552F35	Owner's, Manual			105-4	01T16150W02	Unit, Remocon RD105U		
● 105-1	68P96552F35	Owner's, Manual			105-5	60T58064F01	Battery, Sum-3		
◆ 105-1	68P96552F35	Owner's, Manual							

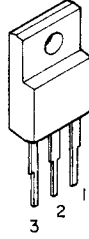
Note: ★ : For General European model only (EK), ▲ : For West German model only (AD),
 ■ : For North American model only (UZ), ● : For Canadian model only (UQ),
 ◆ : For England model only (AG), Others : Common.

Packing Method View

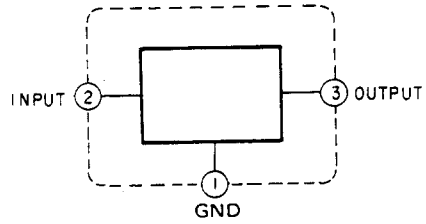


Semi-Conductor Lead Identifications

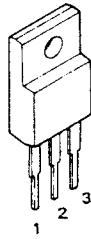
MC7912CT : IC1101
 MC7905 : IC1103



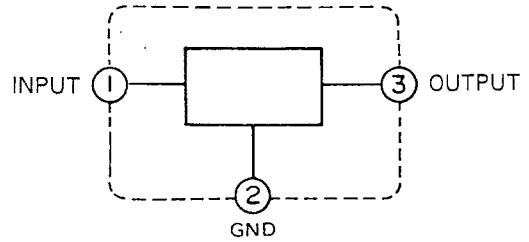
- 1. GND
- 2. Input
- 3. Output



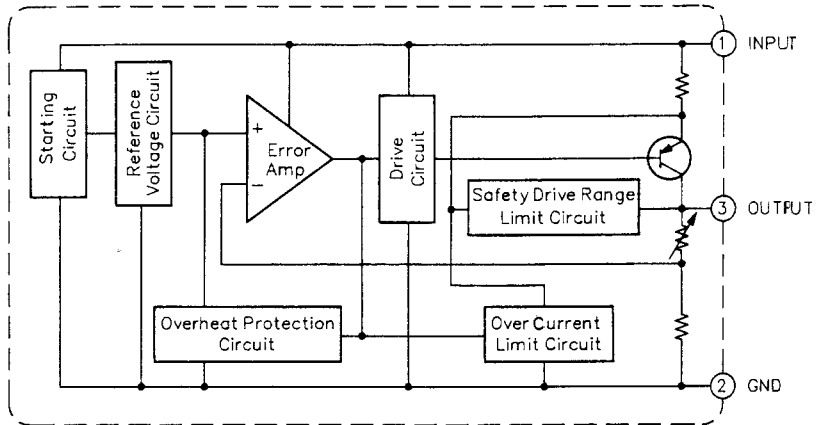
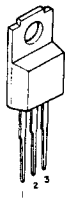
MC7812CT : IC1102
 LM2931AT : IC1104
 MC7805 : IC1406



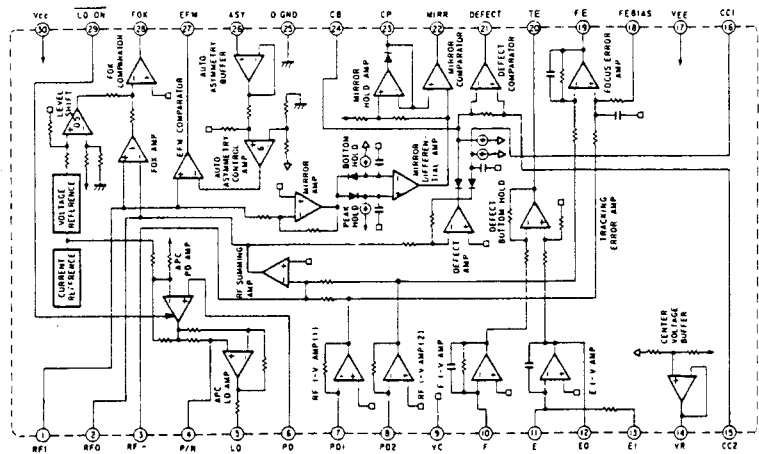
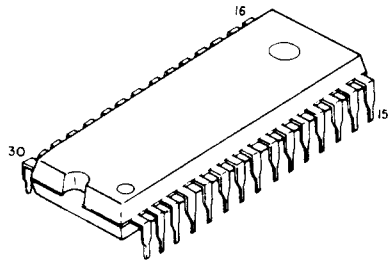
- 1. Input
- 2. GND
- 3. Output



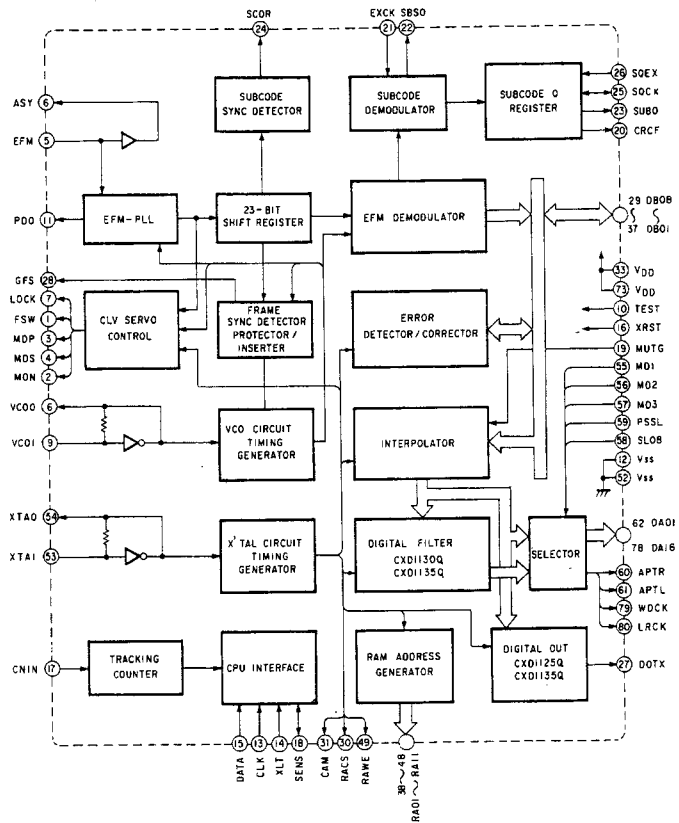
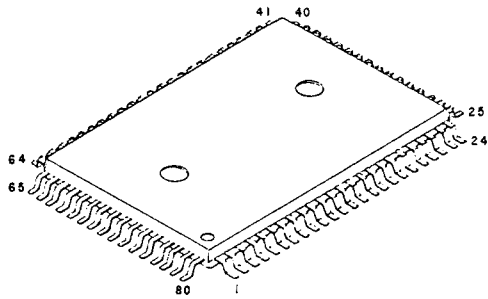
μ PC2405HF : IC1104



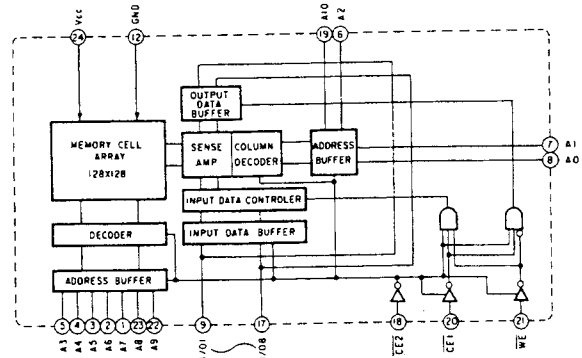
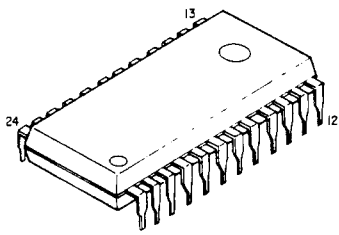
CXA1081S : IC1201



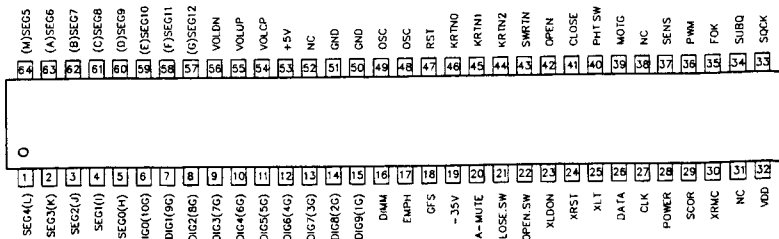
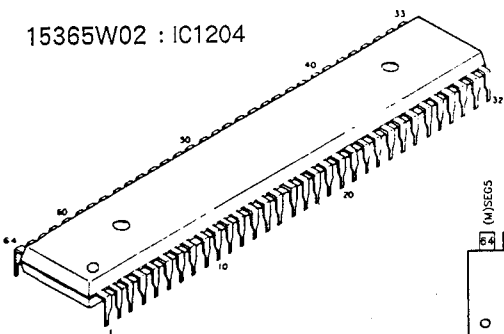
CXD1125QZ : IC1202



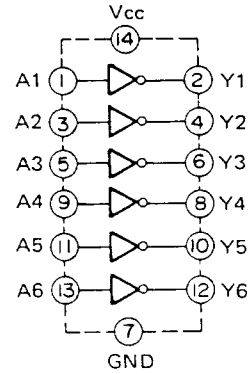
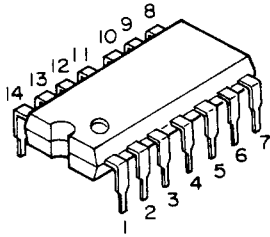
LC3516AS : IC1203



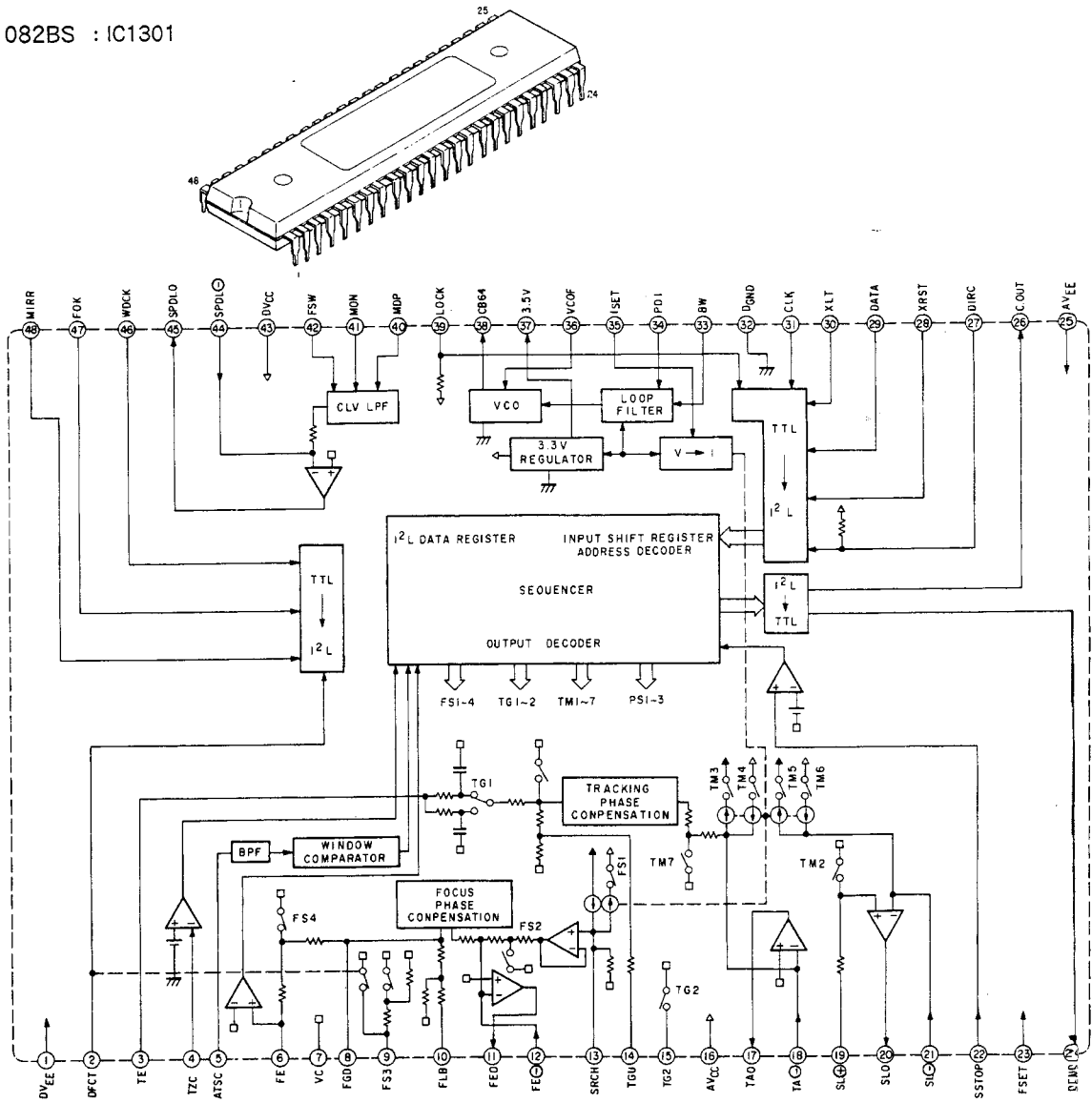
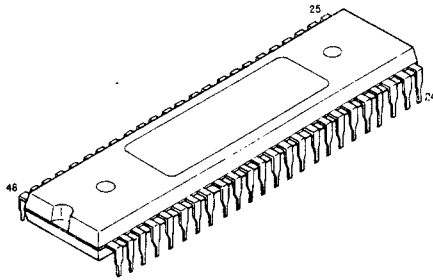
15365W02 : IC1204



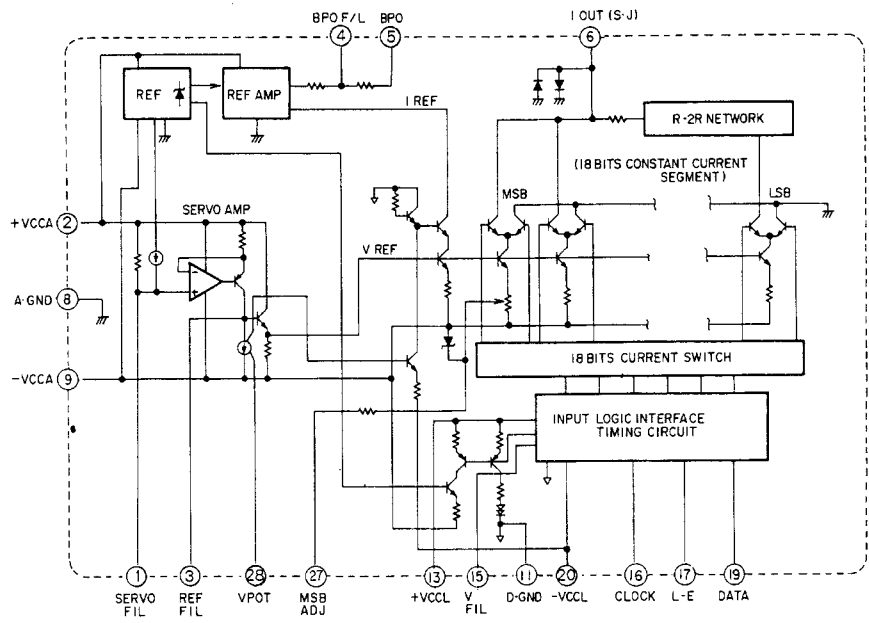
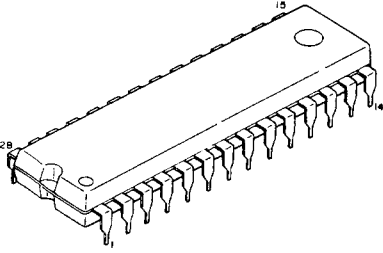
MC74HCU04 : IC1205



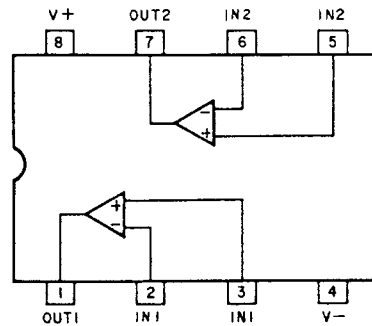
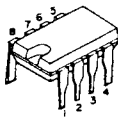
CXA1082BS : IC1301



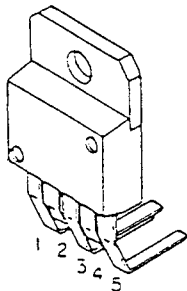
PCM1701P : IC1401, 1402



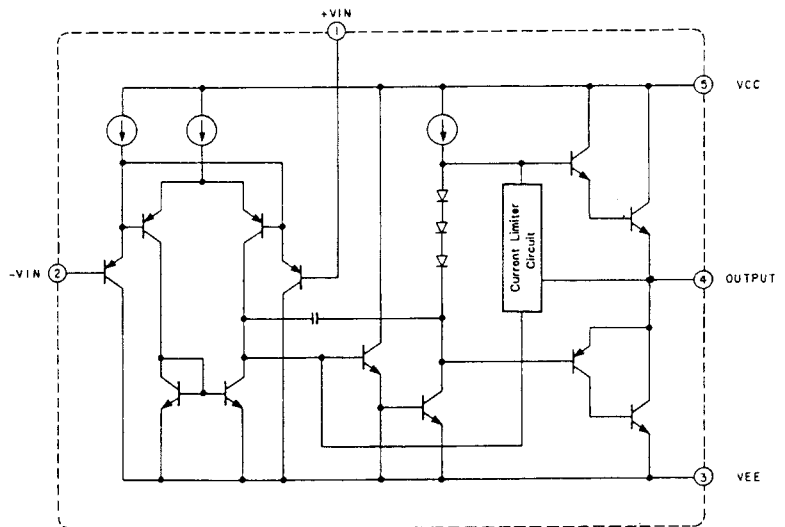
- AD42712 : IC1403, 1404
- M5216P : IC1405
- NJM2903D : IC1901



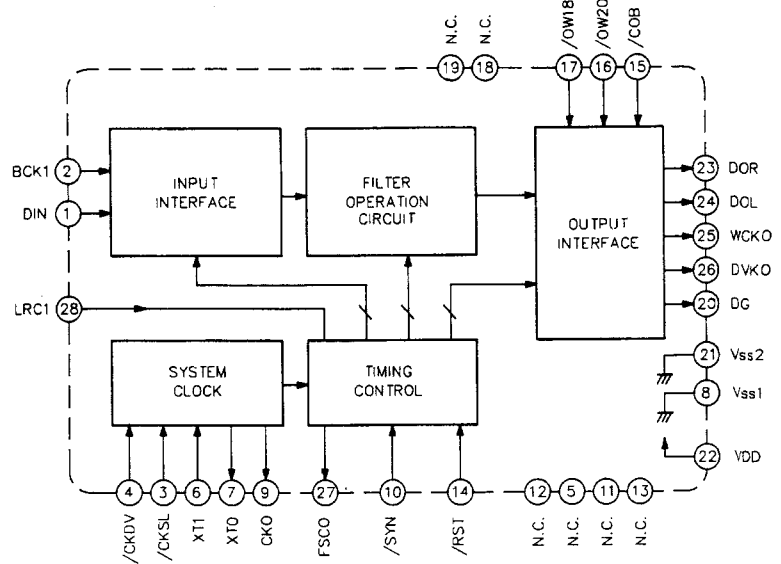
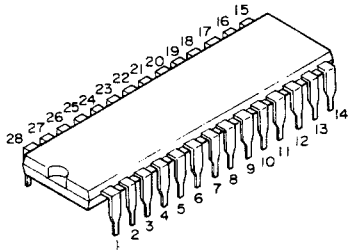
LA6501 : IC1501, 1902



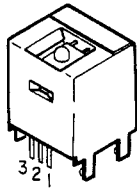
- 1. +VIN
- 2. -VIN
- 3. VEE
- 4. OUTPUT
- 5. VCC



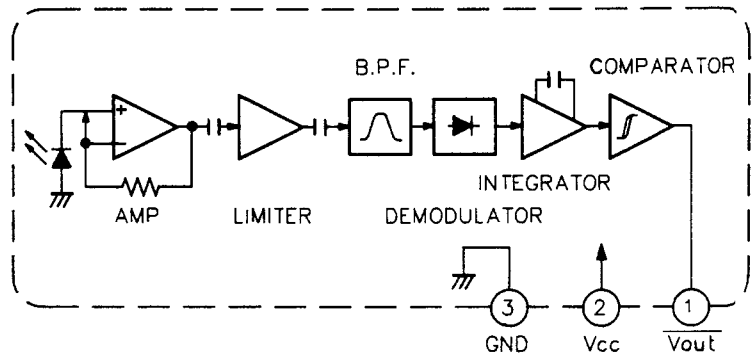
SM5813AP : IC1701



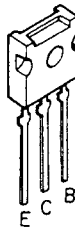
GP1U521 : IC9101
GP1U521X



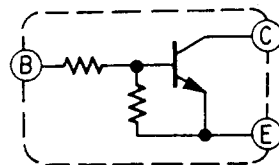
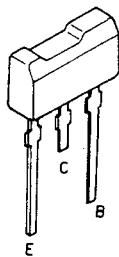
- ① Vout
- ② Vcc
- ③ GND



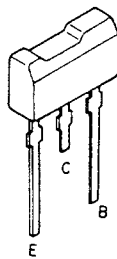
2SA1358 : Q1101



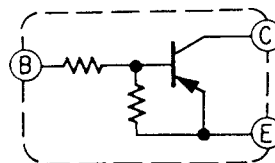
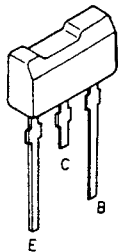
DTC114EL : Q1102, 1309, 1105, 1107, 1108
DTC144EL : Q1212, 1213



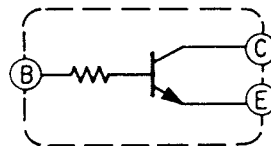
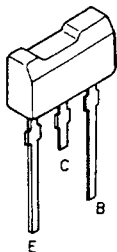
2SC4038 : Q1103
 2SB1277 : Q1203
 2SA1561 : Q1214
 2SB1240 : Q1301, 1303, 1305, 1307
 2SD1862 : Q1302, 1304, 1306, 1308
 2SD1996 : Q1403, 1404



DTA114EL : Q1104, 1106



DTC124TL : Q1211



2SK246 : Q1401, 1402

